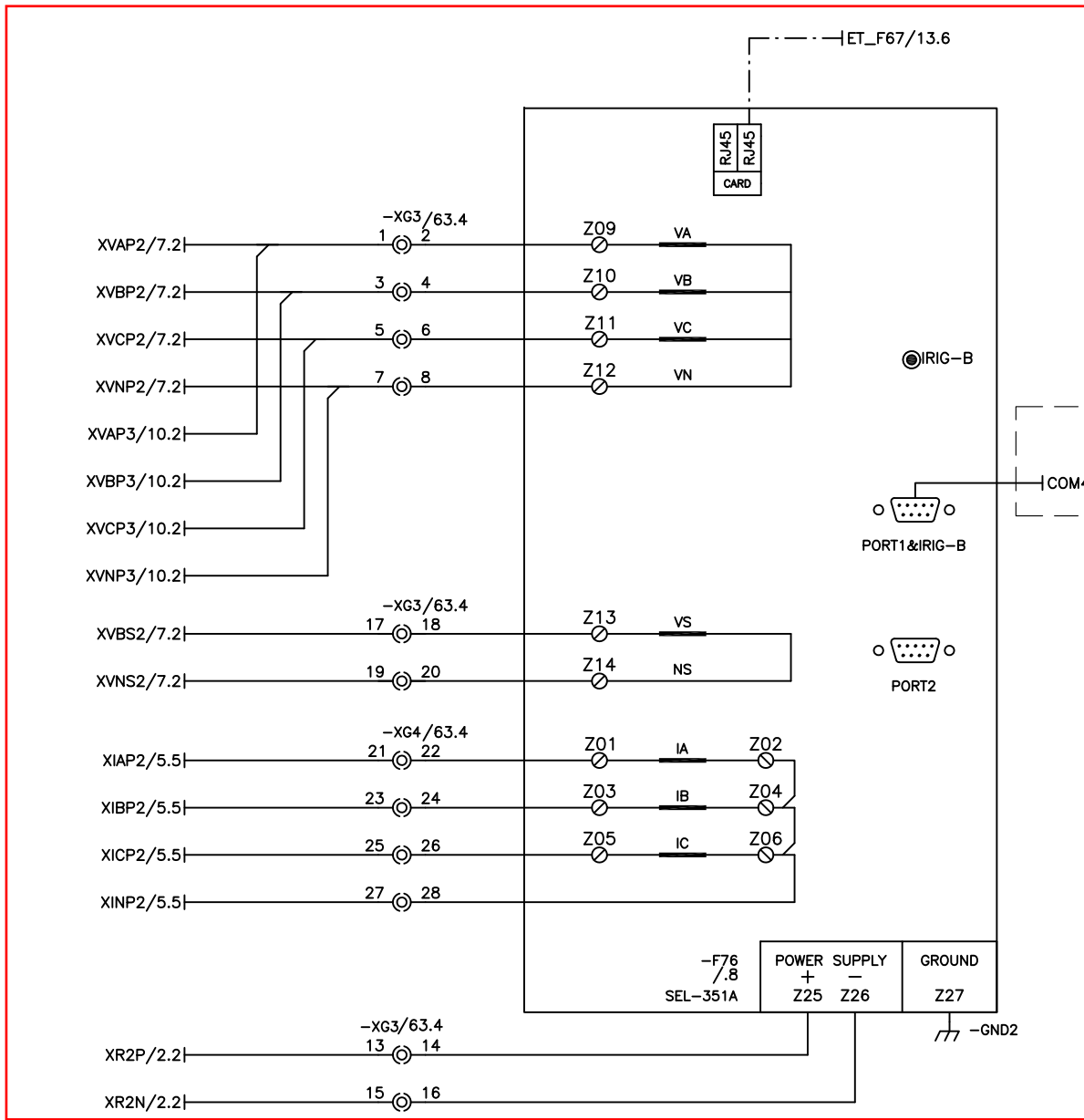


Unauthorized duplication prohibited without written consent



A01	OUT101	A02	/30.4	TRIP & LOCKOUT
A03	OUT102	A04	/62.6	SPARE
A05	OUT103	A06	/30.2	TRIP DIRECT
A07	OUT104	A08	/15.2	START 50BF
A09	OUT105	A10	/19.5	AR INITIATE
A11	OUT106	A12	/62.7	SPARE
A13	OUT107	A14	/51.2	F67 TRIP
A15	ALARM	A16	/51.3	HARDWARE ALARM
A17	IN101	A18	/20.3	CB172 CLOSED
A19	IN102	A20	/20.4	SPARE
A21	IN103	A22	/20.5	FVTL ON
A23	IN104	A24	/20.6	FVTB2 ON
A25	IN105	A26	/20.7	SPARE
A27	IN106	A28	/20.8	SPARE

Revision	Description	Drawn date	Drawn by	Checked date	Checked by
a	FACTORY	10.12.15	DAI.QTN	11.06.30	NGHI.NH
b					
c					
d					

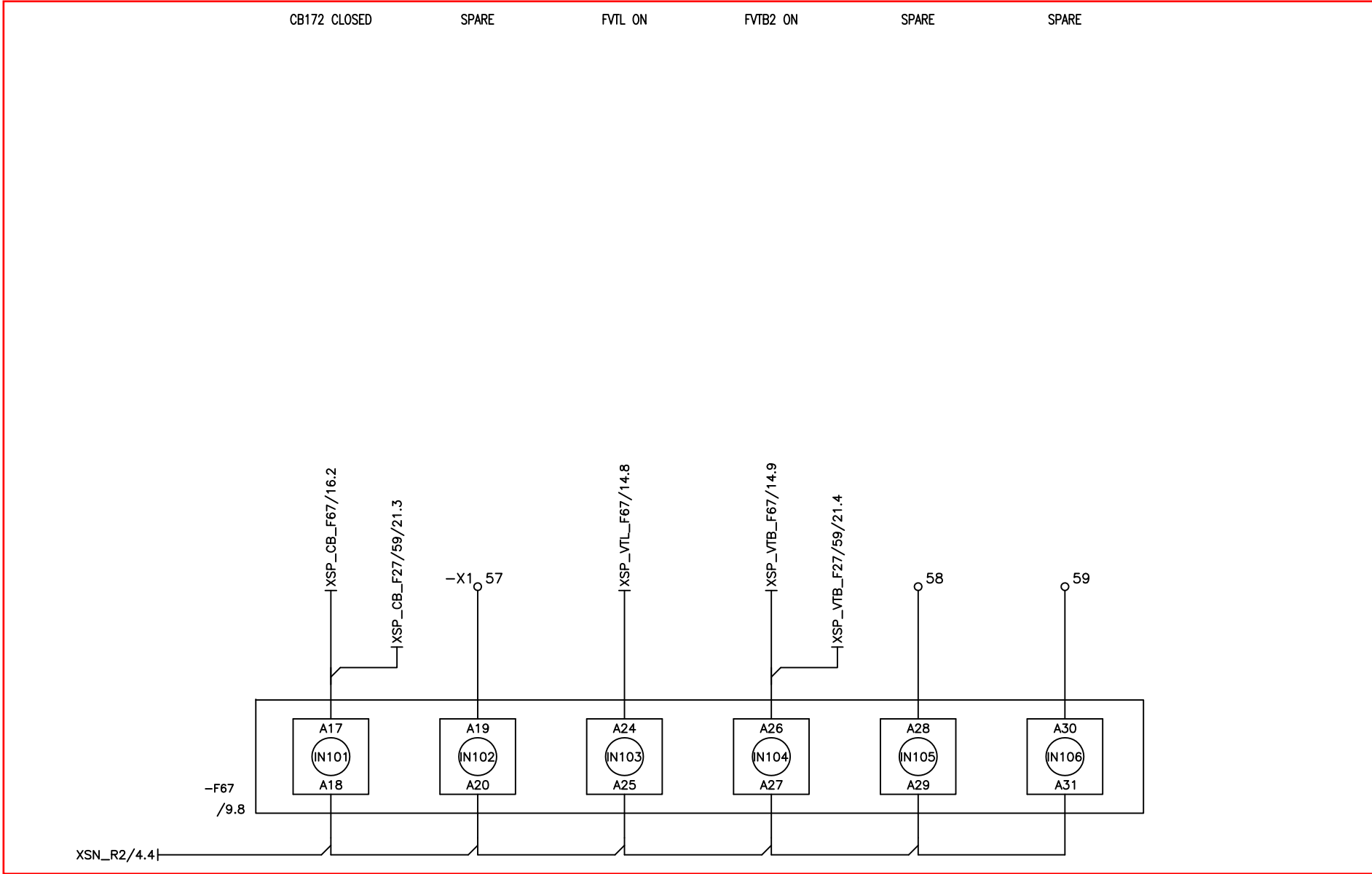


**F67**  
ANALOG INPUT & I/O BOARD

Project Name <b>110KV OHL AYUNPA-EAHLEO</b>		=E06
Job Number <b>CAS-BLU-1011</b>		+RP3
Drawing Number <b>AYP_RP3</b>		Page 9
		63 Page

Date stamp	1	2	3	4	5	6	7	8	9	10
------------	---	---	---	---	---	---	---	---	---	----

Unauthorized duplication prohibited without written consent



Revision Description	Drawn date	Drawn by	Checked date	Checked by
a FACTORY	10.12.15	DAI.QTN	11.06.30	NGHI.NH
b				
c				
d				



-F67  
DIGITAL INPUT

Project Name	110KV OHL AYUNPA-EAHLEO	=E06
Job Number	CAS-BLU-1011	+RP3
Drawing Number	AYP_RP3	Page 20
		63 Page