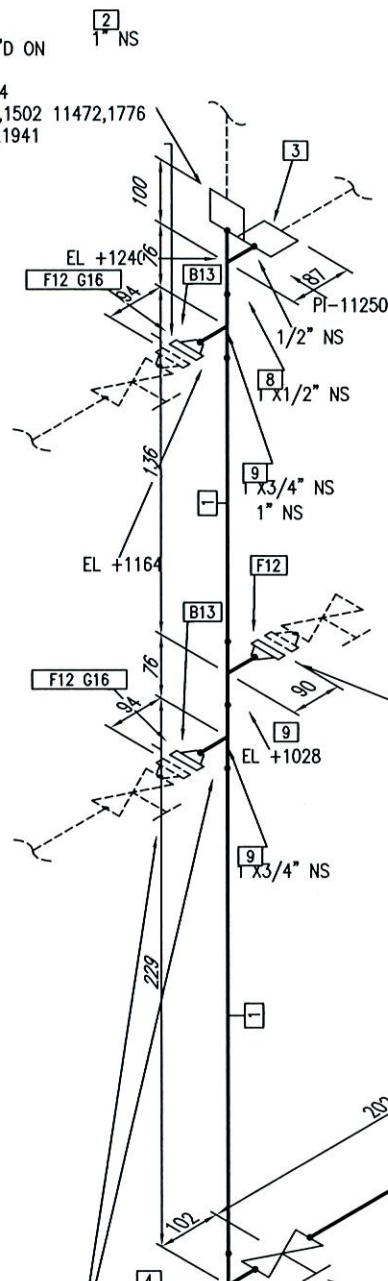
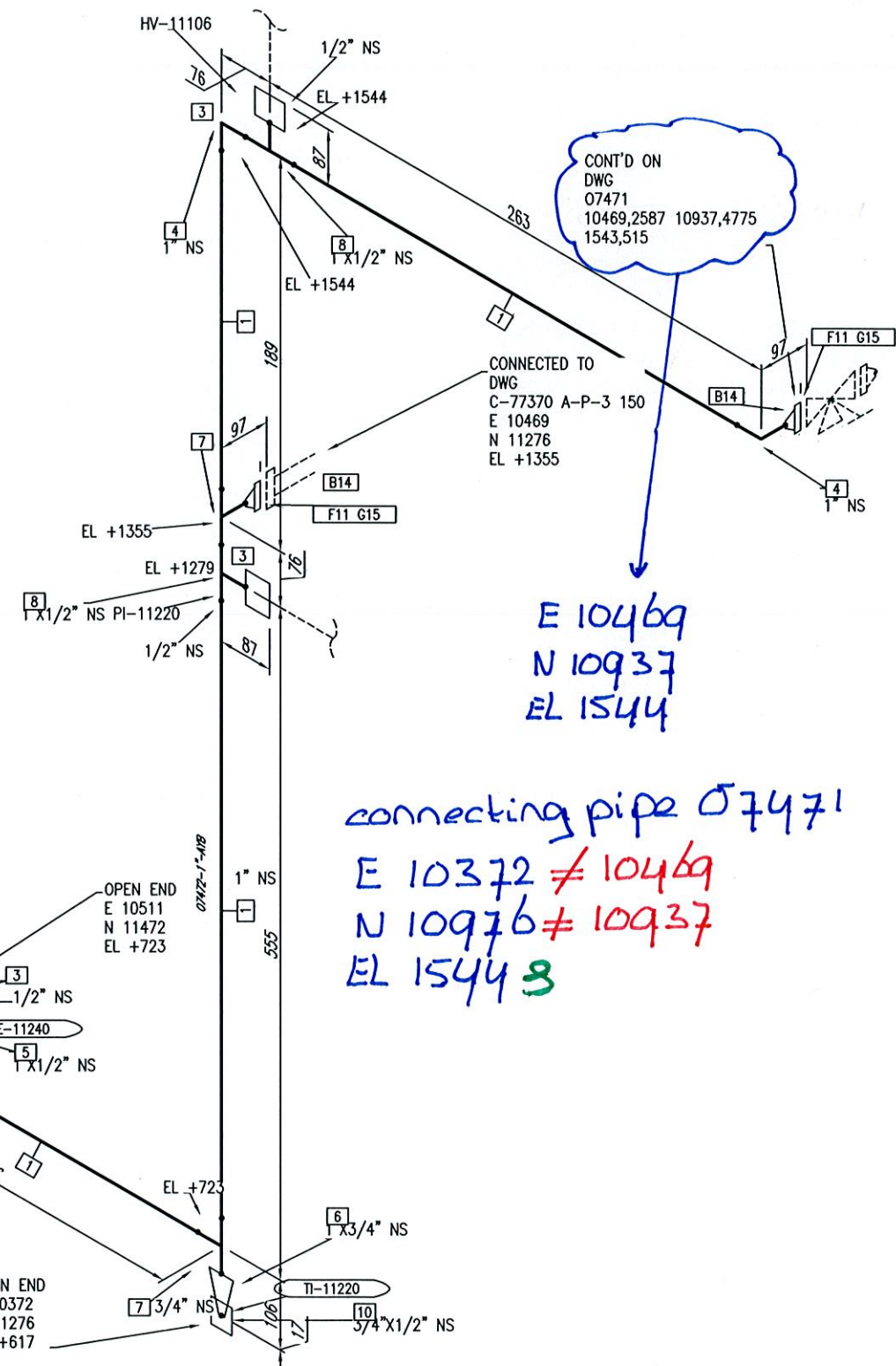




CONT'D ON  
DWG  
07484  
9899,1502 11472,1776  
1164,1941



CONT'D ON  
DWG  
07485  
10083,2977 11472,1775  
1027,9941



CONT'D ON  
DWG  
07483  
9899,1502 11472,1776  
951,7941

OPEN END  
E 10296  
N 11472  
EL +636

OPEN END  
E 10372  
N 11276  
EL +617

OPEN END  
E 10511  
N 11472  
EL +723

REV.	DESCRIPTION	DATE	DRAWN	CHKD	APPD	INSULATION THK	30
		12-19-12					

BILL OF MATERIALS			
ID	QTY	ND	DESCRIPTION
1	1.3M	1"	PIPE, SEAMLESS, 40S, PE, ASME B36.10M
2	1	1"	WELD CONN. SWAGelok
3	5	1/2"	WELD CONN. SWAGelok
4	3	1"	ELBOW 90 LR, BW, ASME B16.9
5	1	1"x1/2"	REDUCER (CONC), 40S, BW, ASME B16.9
6	1	1"x3/4"	REDUCER (CONC), 40S, BW, ASME B16.9
7	3	1"	TEE, 40S, BW, ASME B16.9
8	4	1"x1/2"	TEE (RED), BW, 40S, ASME B16.9
9	3	1"x3/4"	TEE (RED), BW, ASME B16.9
10	1	3/4"x1/2"	HALF COUPLING, CL.3000, NPT, ASME B16.11
11	2	1"	FLANGE WN, CL.150, 40S, RF, ASME B16.5
12	3	3/4"	FLANGE WN, CL.150, 40S, RF, ASME B16.5
13	8	1/2"x70	STUDBOLTS WITH NUTS, CS, RF, CL.150
14	8	1/2"x70	STUDBOLTS WITH NUTS, CS, RF, CL.150
15	2	1"	GASKET, SWG, CL.150, RF, GRAPH., ASME B16.20 -4.5MM
16	2	3/4"	GASKET, SWG, CL.150, RF, GRAPH., ASME B16.20 -4.5MM
17	1	1"	GATE VALVE, SOLID WEDGE, CL.800, BW, CALDBRI, ASME B16.10

PROJECT NAME:	1025		
TITLE:	1025		
DRAWING NUMBER:	07472		
LINE NO:	07472	AREA:	UNIT:
JOB NUMBER:	SCALE:	SHEET:	REV.
	N.T.S.	1 of 1	0

P:\1025\Plant\3D\1025\isometric\Check\_A2\Quickiso\Drawings\07472.dwg



CONT'D ON  
DWG  
07471-2  
E 11025  
N 11318  
EL +1544

CONNECTED TO  
DWG  
C-77370 A-P-1 150  
E 10926  
N 11276  
EL +1355

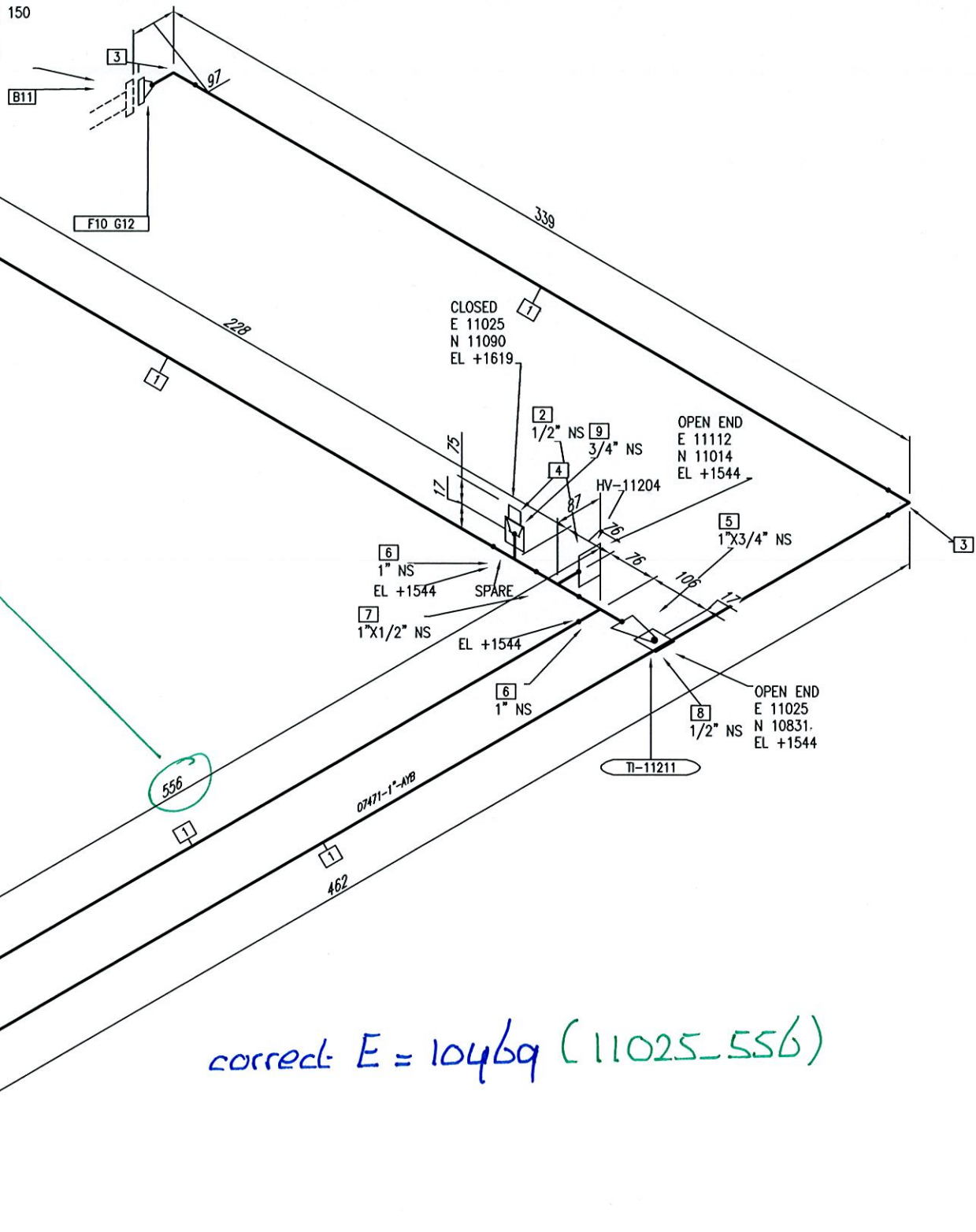
11025-556 = 10469

10469 ≠ 10372

Not correct!

CONT'D ON  
DWG  
07472  
E 10372  
N 10976  
EL +1544

correct: E = 10469 (11025-556)



BILL OF MATERIALS

ID	QTY	ND	DESCRIPTION
1	1.2M	1"	PIPE, SEAMLESS, 40S, PE, ASME B36.10M
2	1	1/2"	WELD CONN. SWAGelok
3	3	1"	ELBOW 90 LR, BW, ASME B16.9
4	1	3/4"	PLUG, HEX HEAD, NPT, ASME B16.11
5	1	1"x3/4"	REDUCER (CONC), 40S, BW, ASME B16.9
6	2	1"	TEE, 40S, BW, ASME B16.9
7	1	1"x1/2"	TEE (RED), 40S BW, ASME B16.9
8	1	1/2"	HALF COUPLING, CL.3000, NPT, ASME B16.11
9	1	3/4"	HALF COUPLING, CL.3000, NPT, ASME B16.11
10	3	1"	FLANGE WN, CL.150, 40S, RF, ASME B16.5
11	12	1/2"x70	STUDBOLTS WITH NUTS, CS, RF, CL.150
12	3	1"	GASKET, SWG, CL.150, RF, GRAPH., ASME B16.20 -4.5MM
13	1	1"	CONTROL VALVE, 3-WAY PLUG, CL.150, RF, GX 3

REV.	DESCRIPTION	DATE	DRAWN	CHKD	APPD	INSULATION THK	30
		12-19-12					

PROJECT NAME:				1025			
TITLE:				1025			
DRAWING NUMBER:				07471-1			
LINE NO:	07471	AREA:	UNIT:	TYPE:			
JOB NUMBER:		SCALE:	N.T.S.	SHEET:	1 of 2	REV.	0