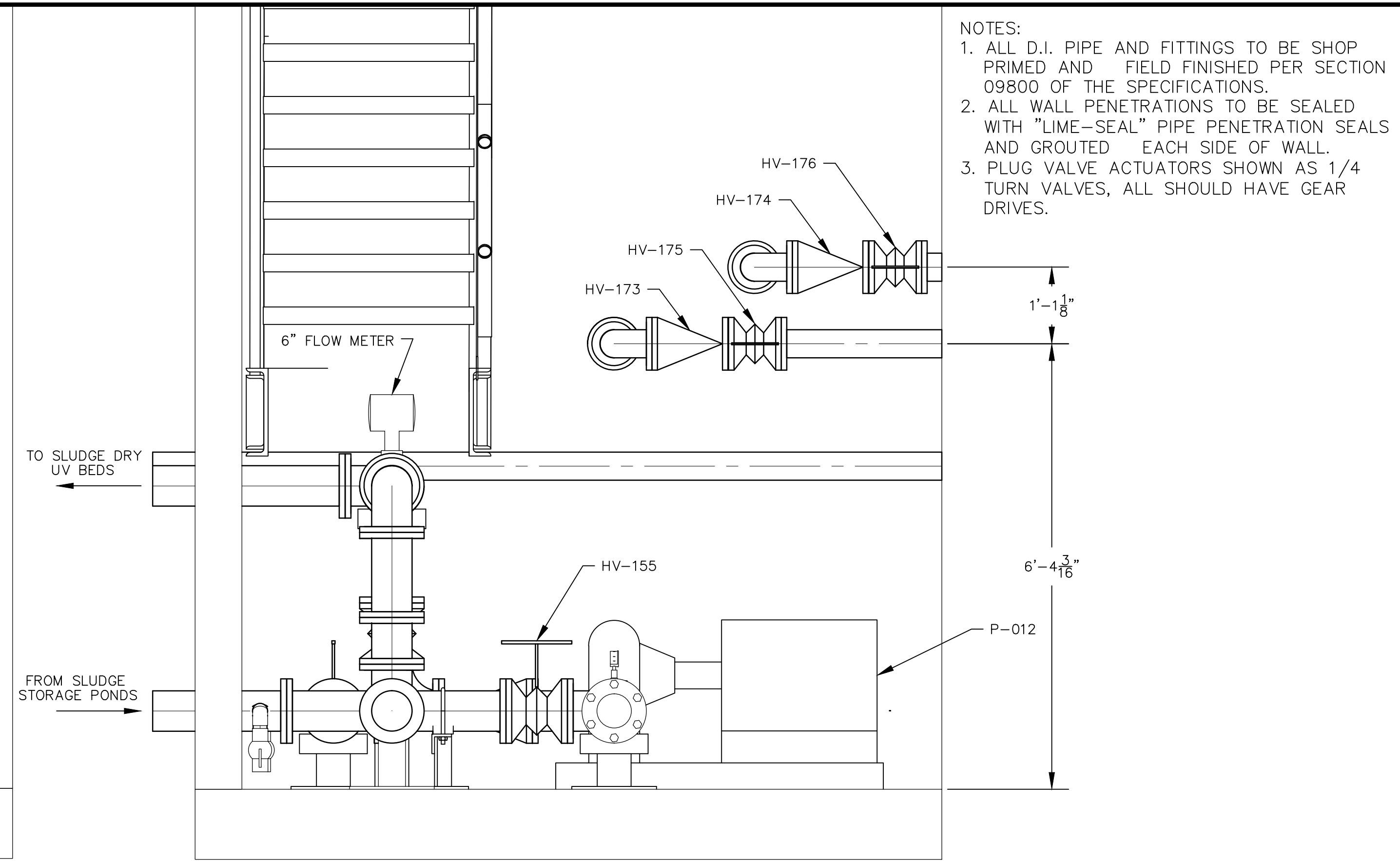
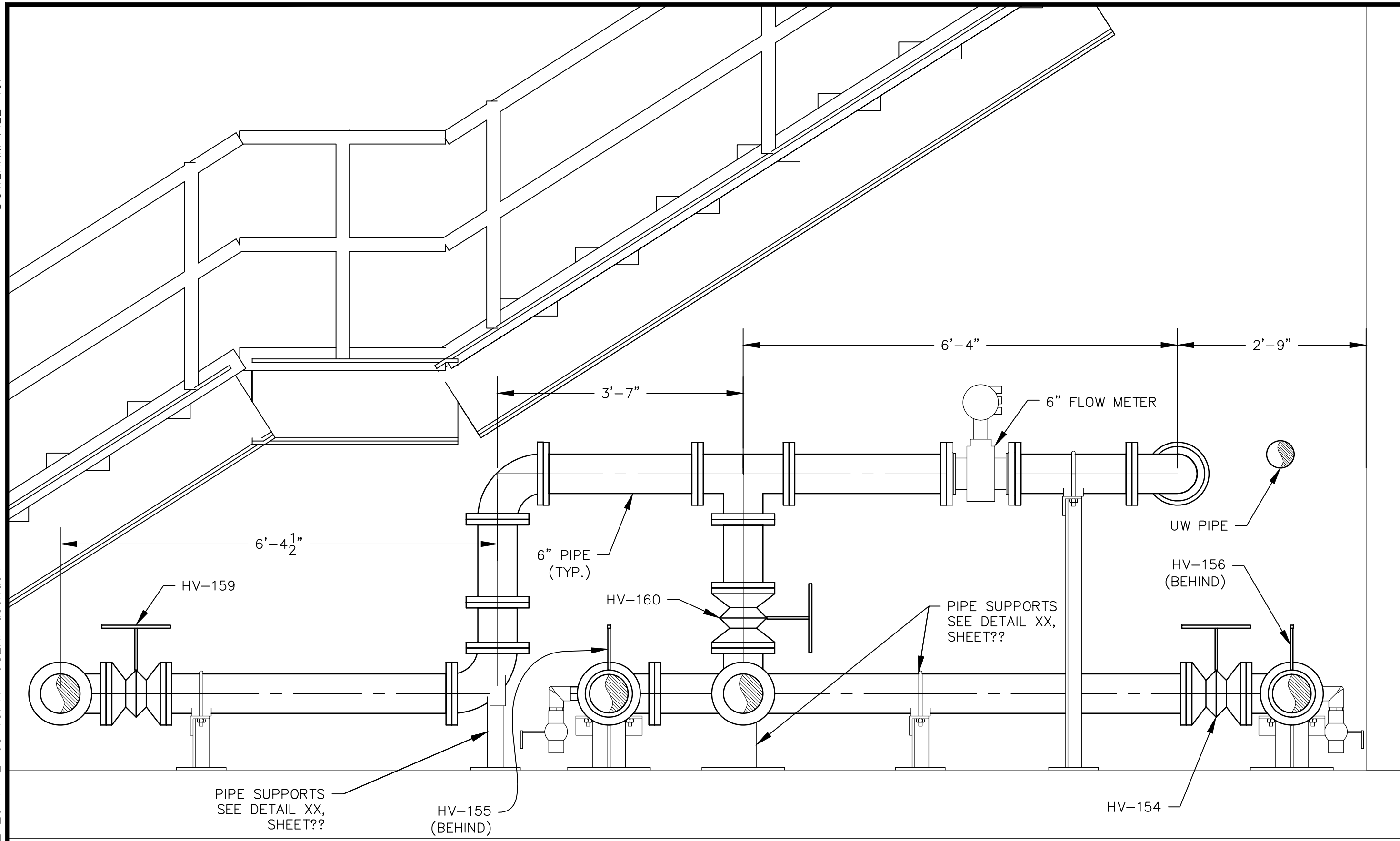


\\bzn-fs\CAD\2811360.01\Plant_3D\Choteau WWTF\Orthos\DWGs\Pump_Building_Ortho_VIEWS.dwg PLOT DATE 2014-12-21 15:08 SAVED DATE 2014-12-05 13:41 USER: dsenden DOWLHKM FILE No: XXX-XX

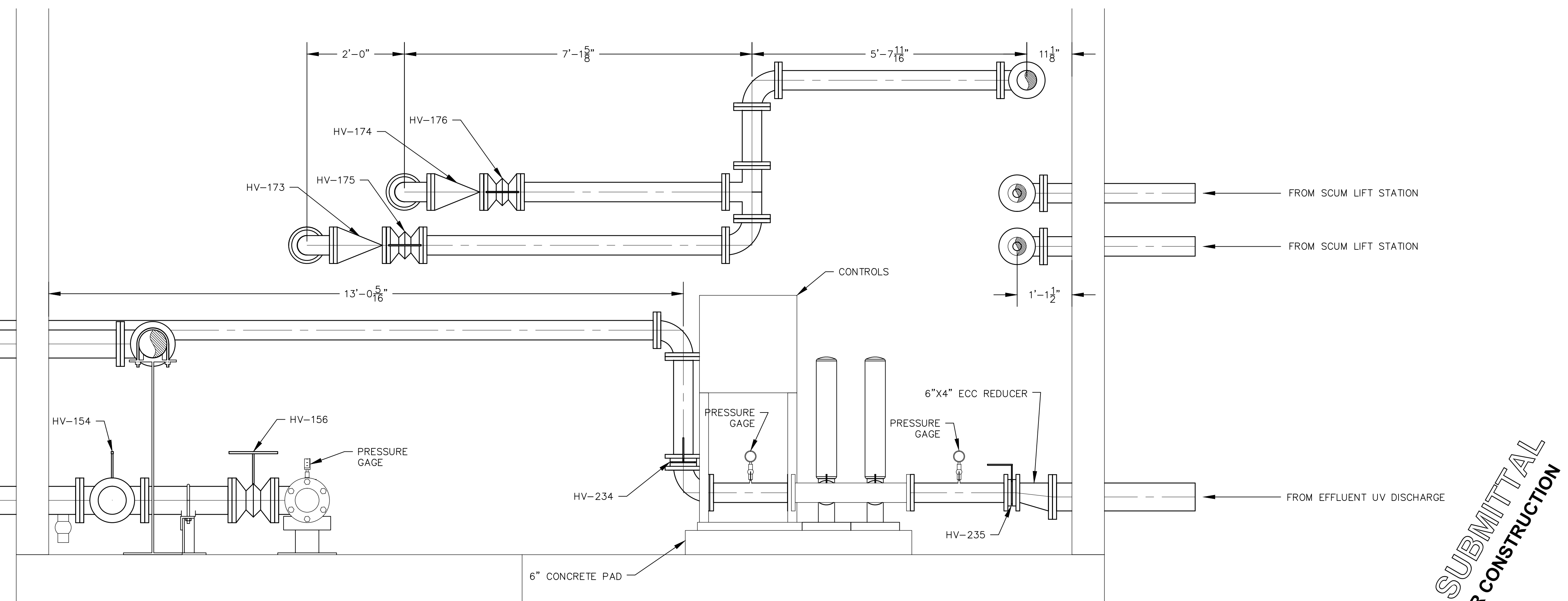
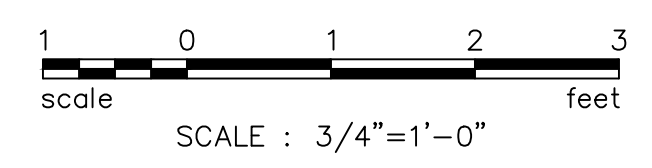


- NOTES:
1. ALL D.I. PIPE AND FITTINGS TO BE SHOP PRIMED AND FIELD FINISHED PER SECTION 09800 OF THE SPECIFICATIONS.
 2. ALL WALL PENETRATIONS TO BE SEALED WITH "LIME-SEAL" PIPE PENETRATION SEALS AND GROUTED EACH SIDE OF WALL.
 3. PLUG VALVE ACTUATORS SHOWN AS 1/4 TURN VALVES, ALL SHOULD HAVE GEAR DRIVES.

REV	DATE	DESCRIPTION	BY
1	12/18/2014	DEQ SUBMITTAL SET	KRU


SECTION 3A

SECTION 3B



SECTION 3C

**DEQ SUBMITTAL
NOT FOR CONSTRUCTION**



DOWL HKM
Bozeman, Montana 59715
www.dowlhkm.com

CITY OF CHOTEAU - WATER RESOURCE RECOVERY FACILITY
 CHOTEAU, MONTANA

PROJECT 4528.11360.01
 DATE 12/18/2014

©DOWLHKM 2014
 SHEET
MP07