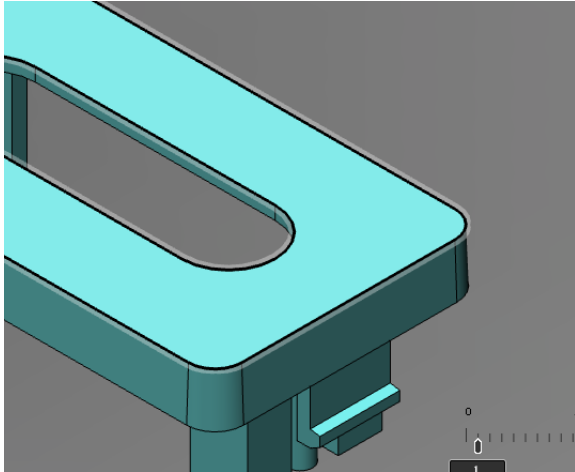


Autodesk Moldflow Adviser 2012
and
Autodesk Inventor Fusion 2012
interoperability

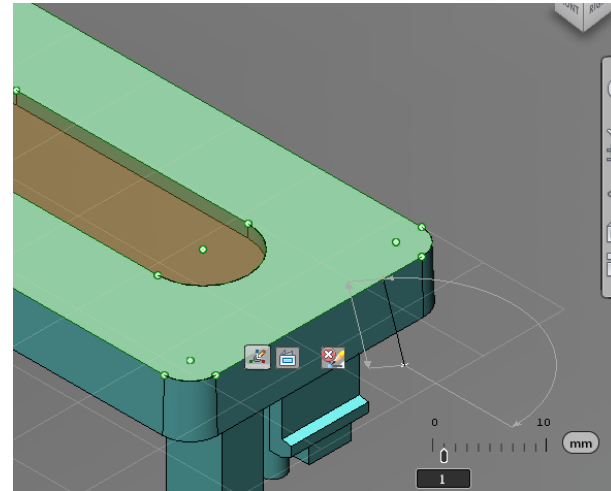
Example: Modeling of Fan Gate

Example: Modeling of Fan Gate

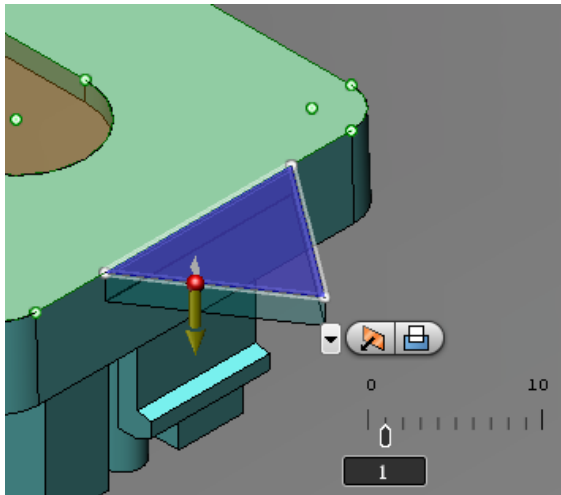
Parasolid model imported to Inventor Fusion 2012



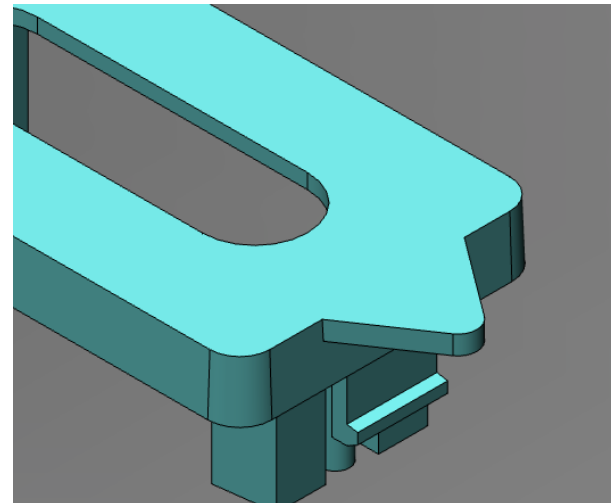
Sketch the film gate



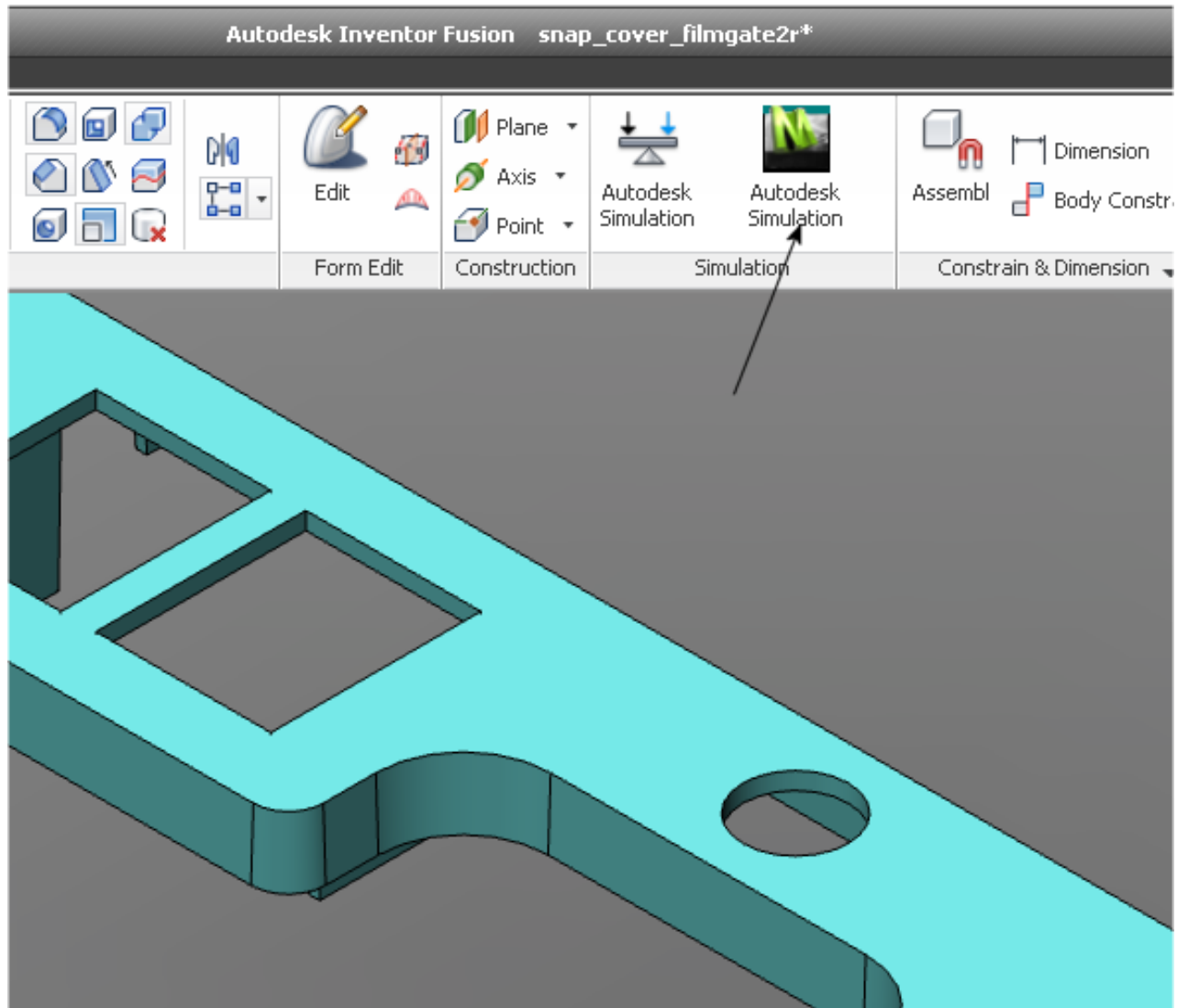
Extrude and join. Add Radius.



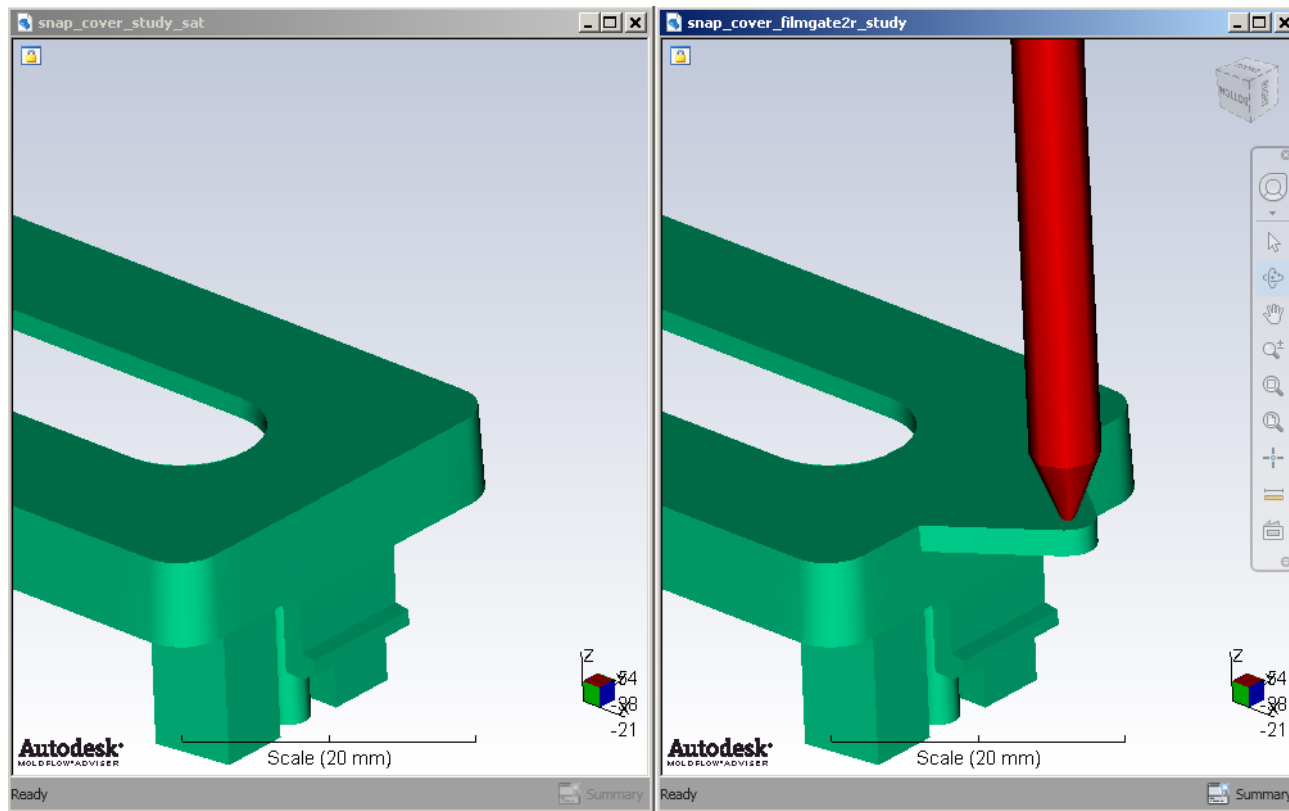
Ready to export in SAT format



Export in SAT format



Model in SAT format imported to Moldflow Adviser



Original model.

Model with fan gate imported to
Adviser, and runners added