

Figure 1: Concrete Shear Wall



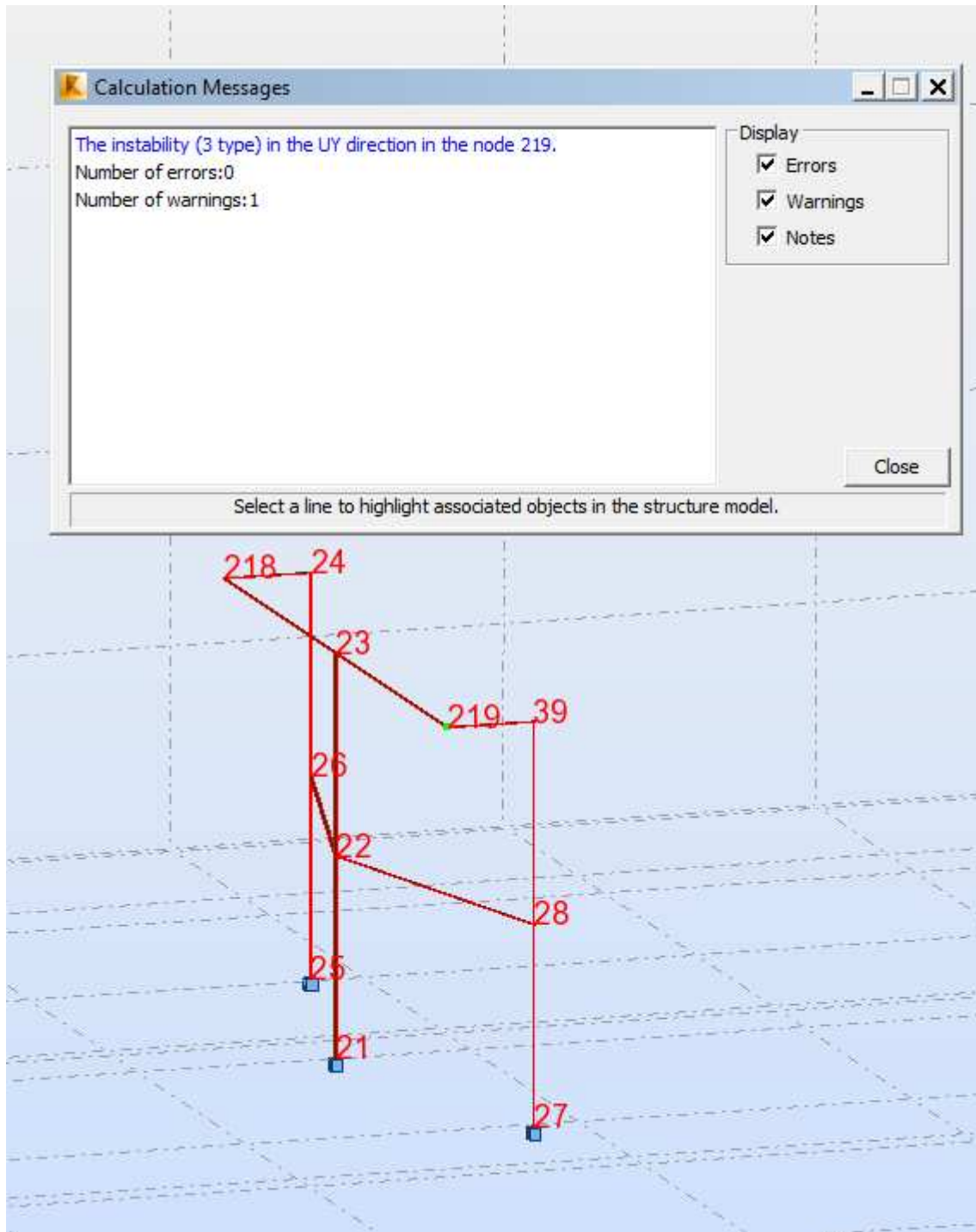


Figure 3: Instability Type 3 in node 219

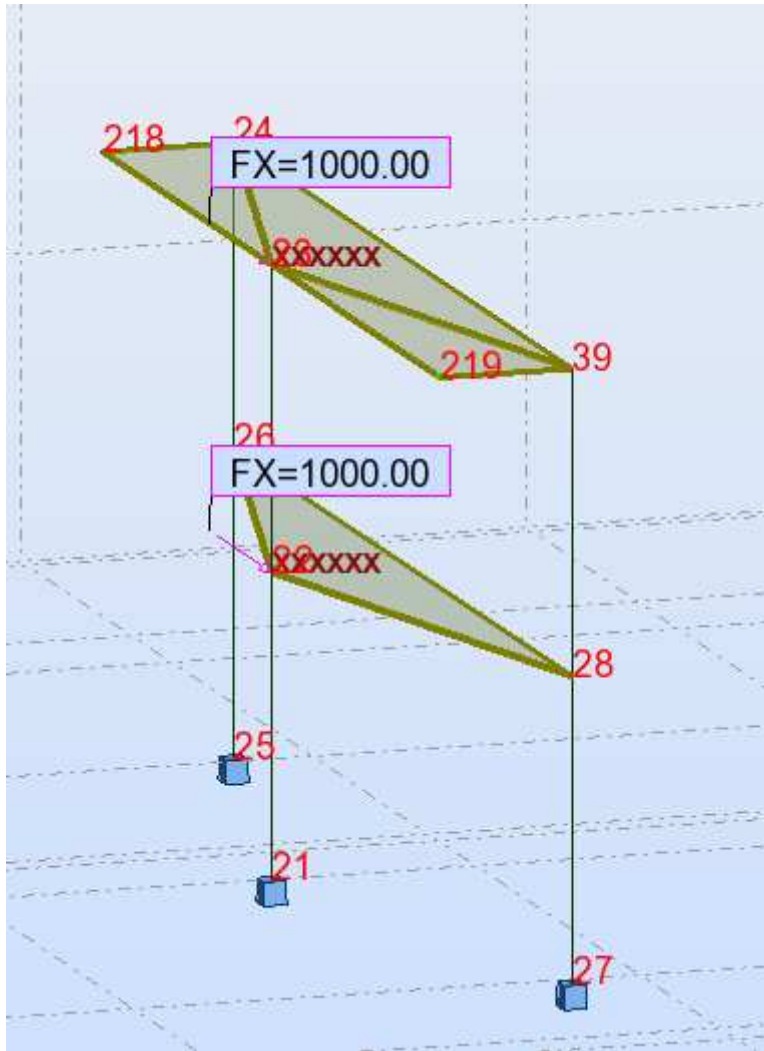


Figure 4: Lateral Load with Rigid Diaphragm