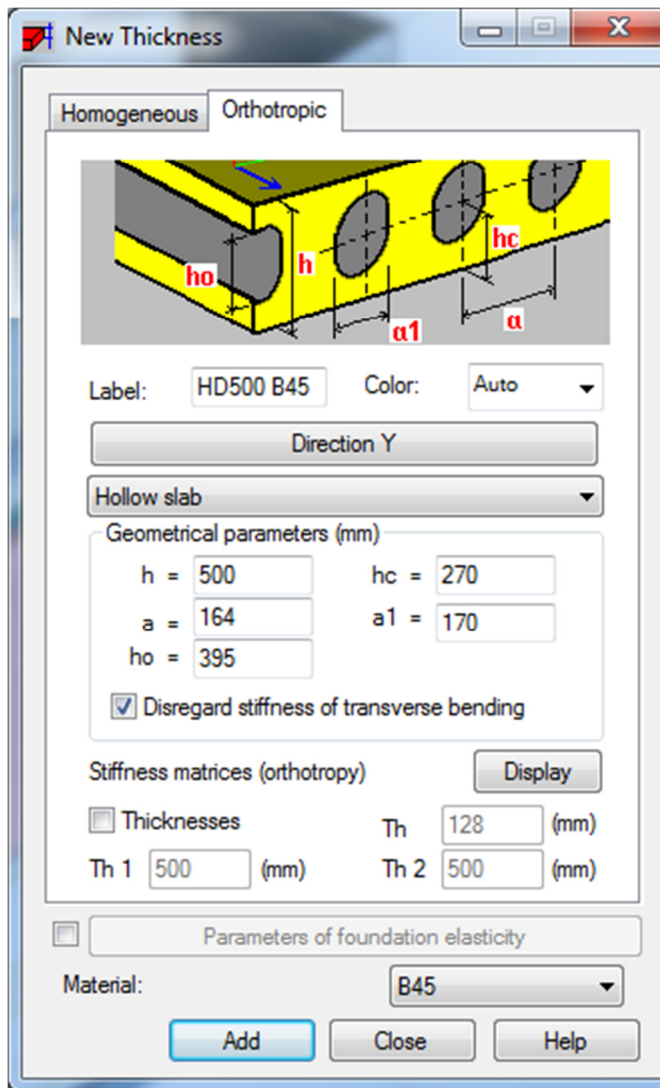


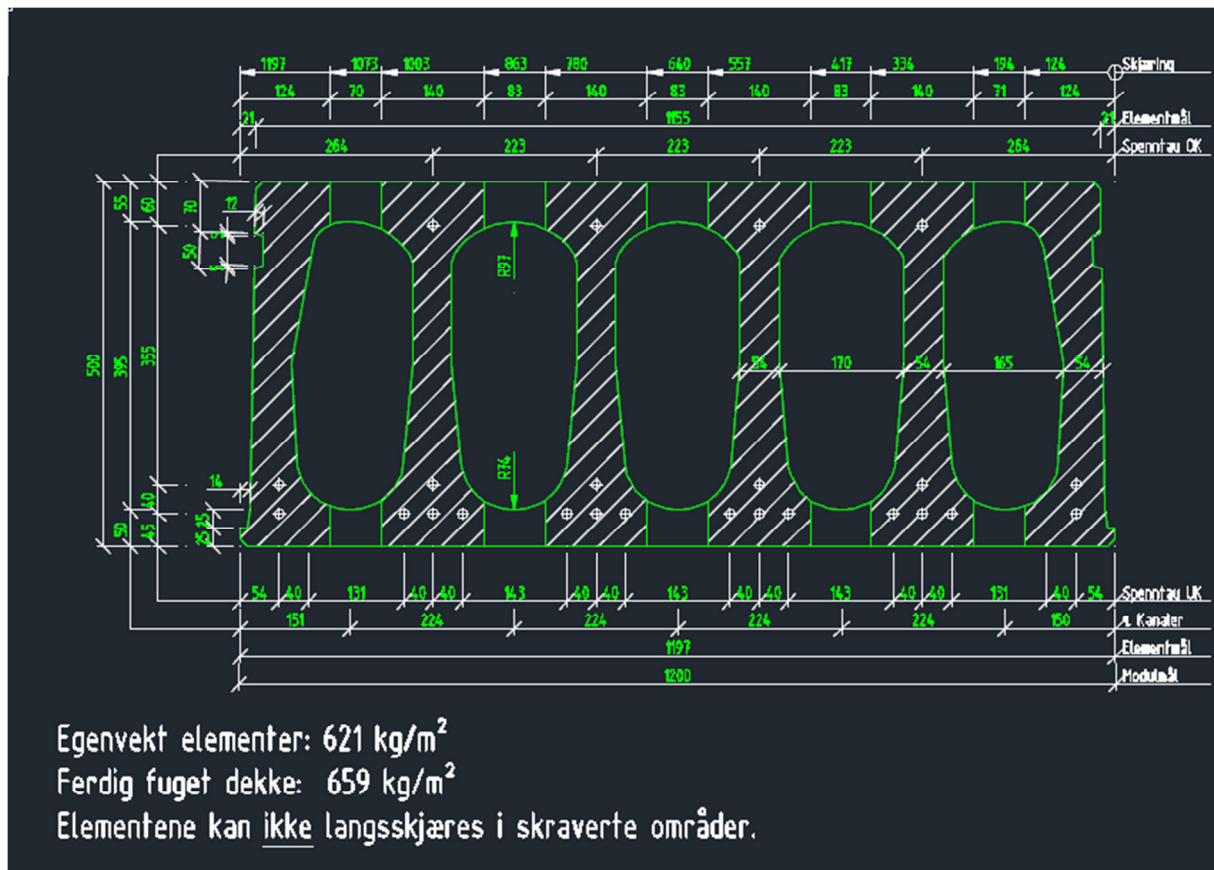
Self wight HD 500: ~6,6 kn/m2 (THIS IS THE CORRECT MASS OF HOLLOW SLAB 500)

$$\frac{ql^2}{8} = (6,6 * 13^2) / 8 = 139 \text{ knm}$$

I Have turned off transversial bendig.



Above parameters used in hollow slab. HD 500



Hollow slab 500 production drawing