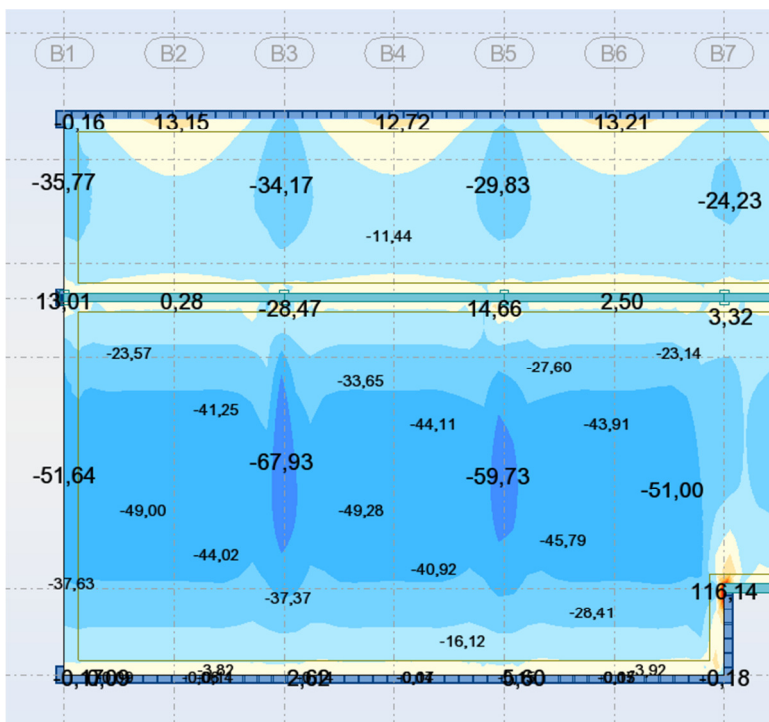
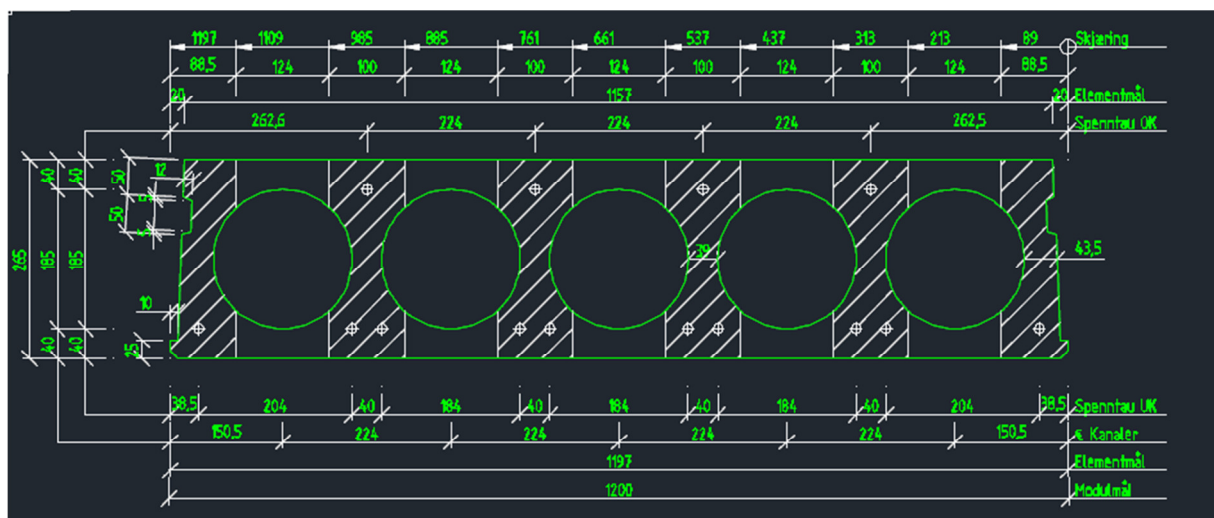
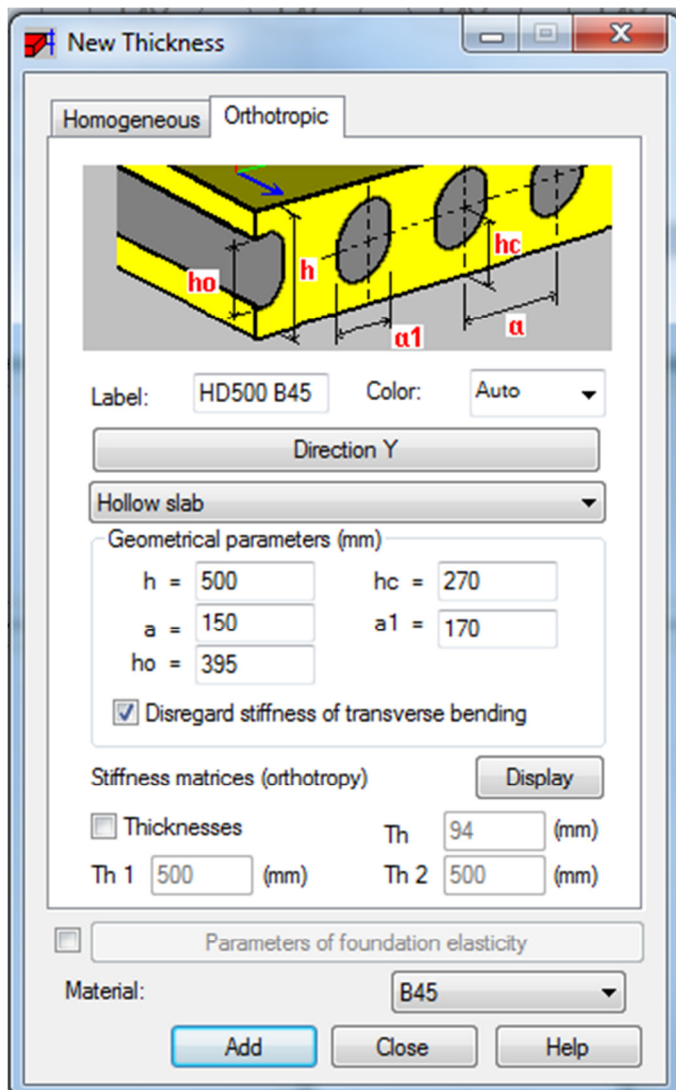


Self wight HD 500: ~6,6 kn/m2

$$\frac{ql^2}{8} = (6,6 * 13^2) / 8 = 139 \text{ knm}$$



I Have turned off transversal bendig.



Above the correct parameters to be used in hollow slab. HD 500