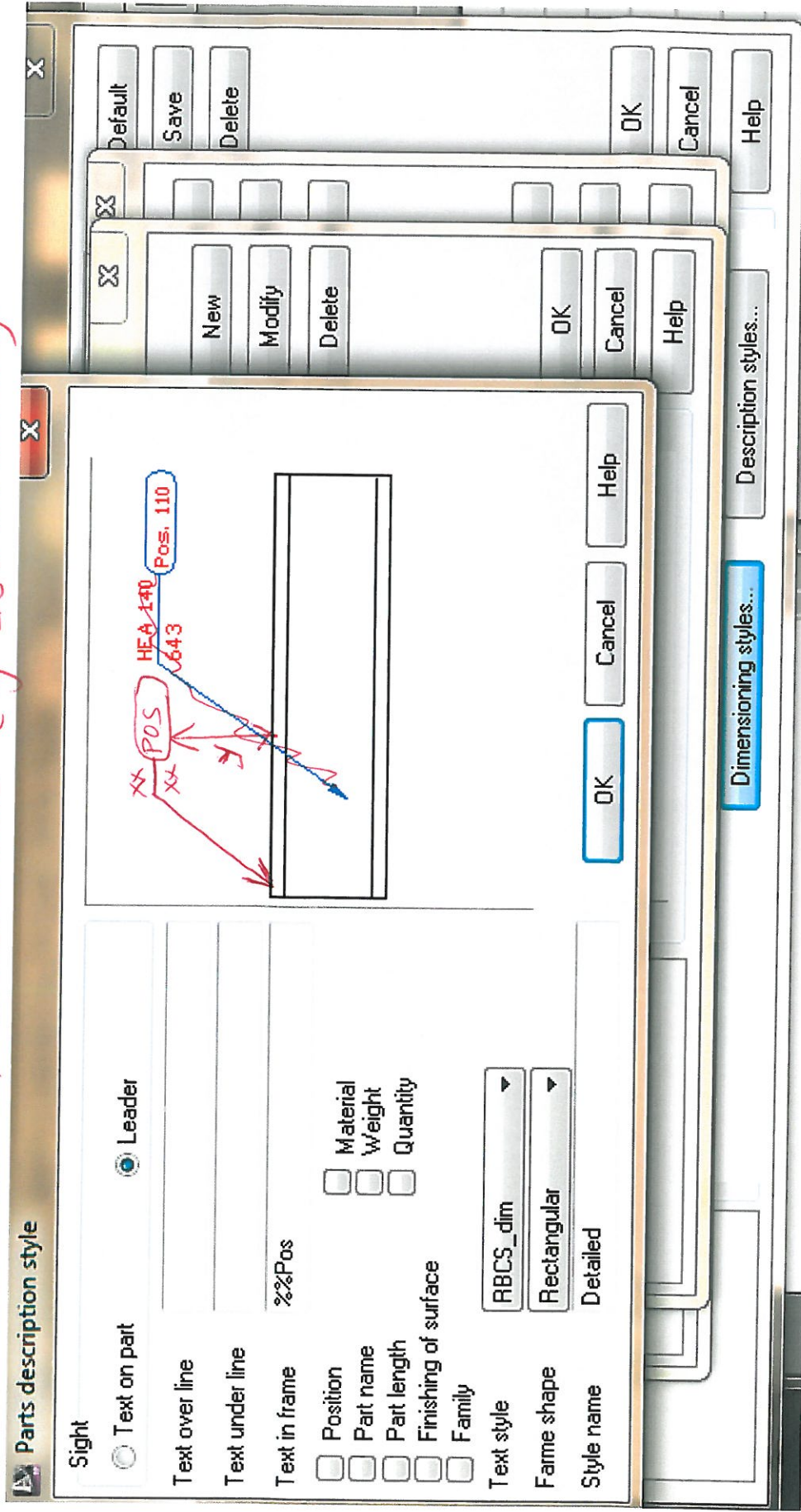
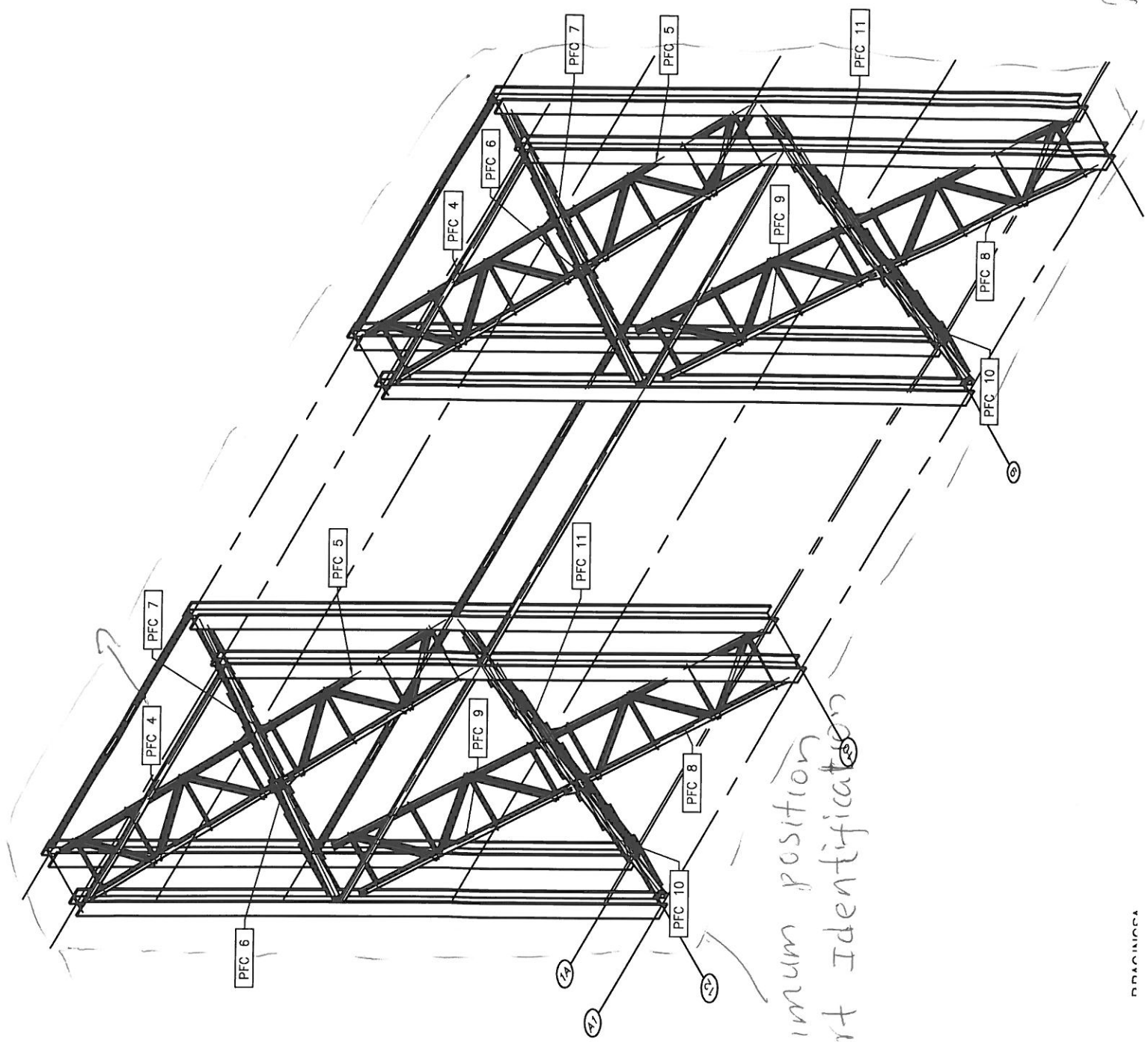


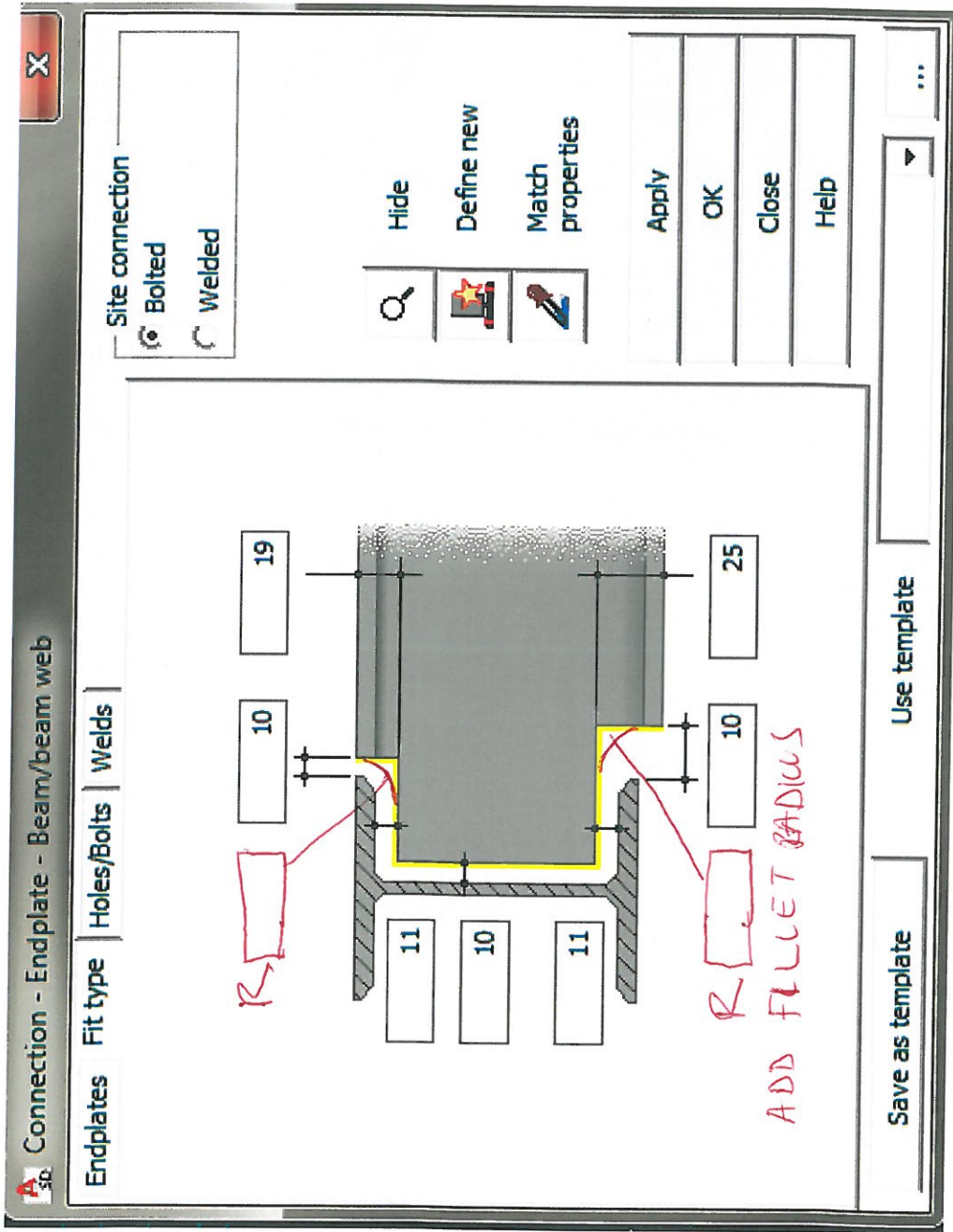
On Assemblies → is it possible to set Mark Pos on outside of assembly e.g. ISO Drawing



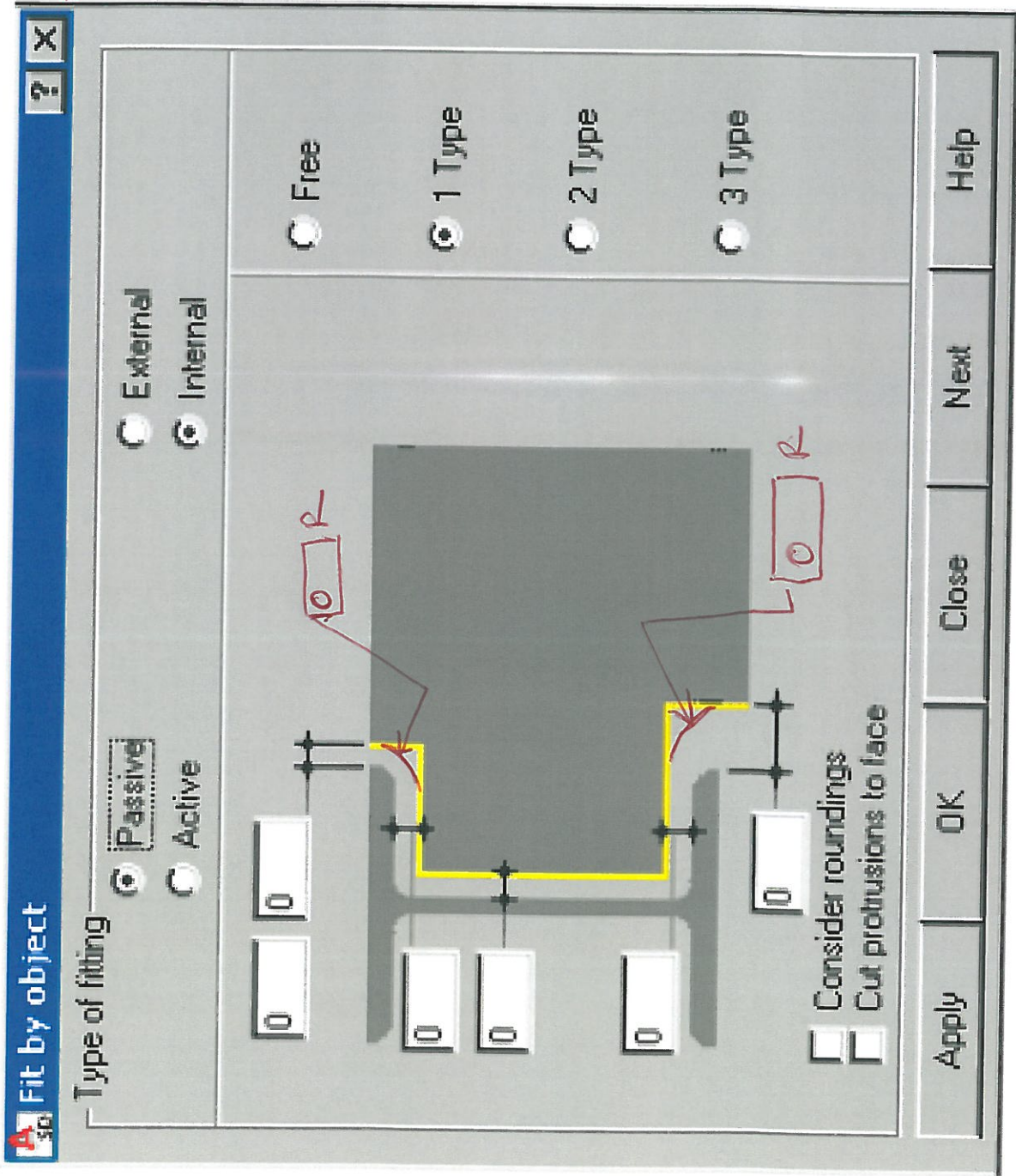
INSERT ERECTION MARK, AND MARK TOP OF BEAM ON PLATE



set minimum position
for part identification



CHAMFER BEAM on NOTCHES



* BEAM NOTCH
 HAVE FILLET RADIUS
 BETWEEN 3-20mm