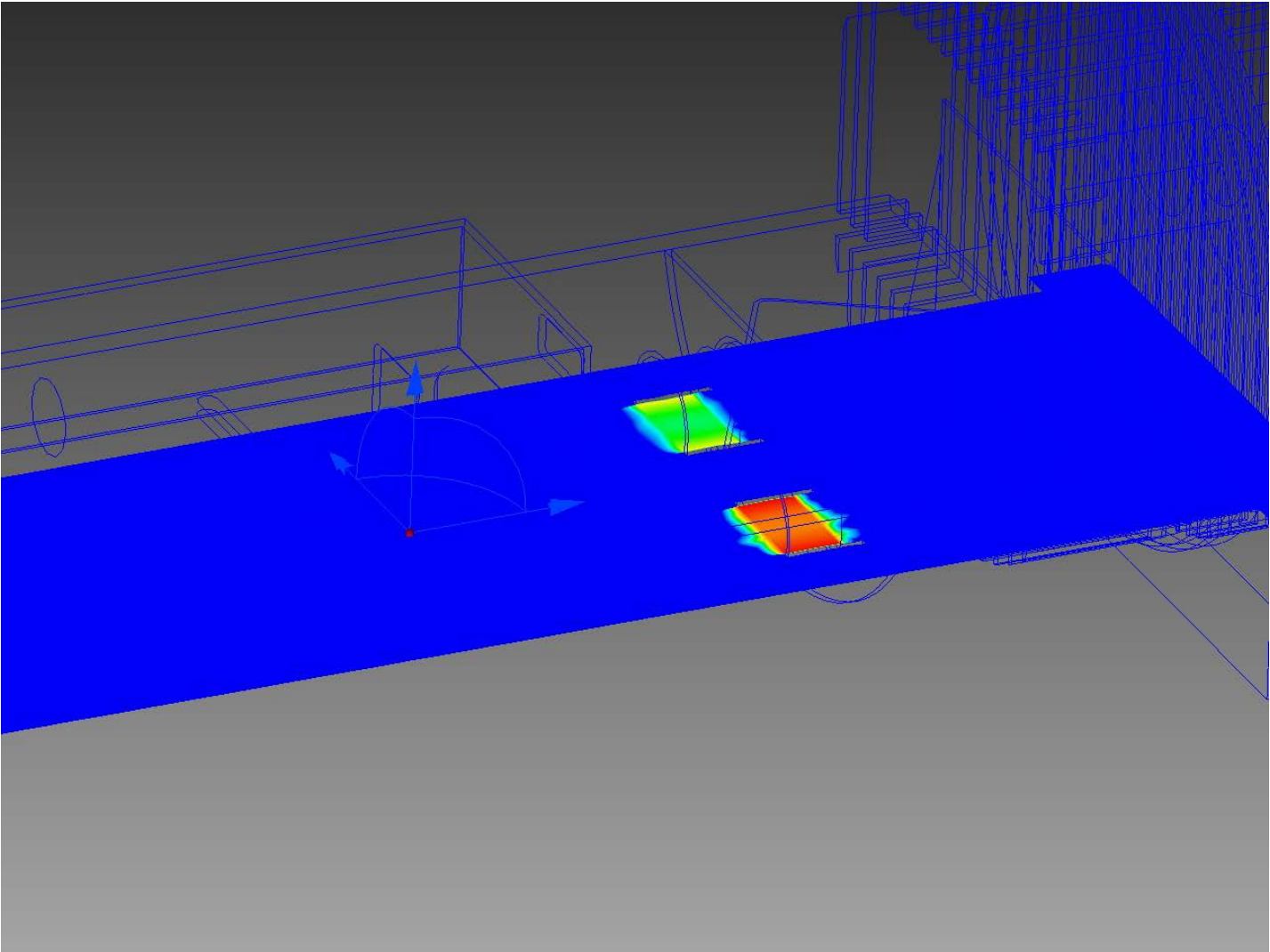
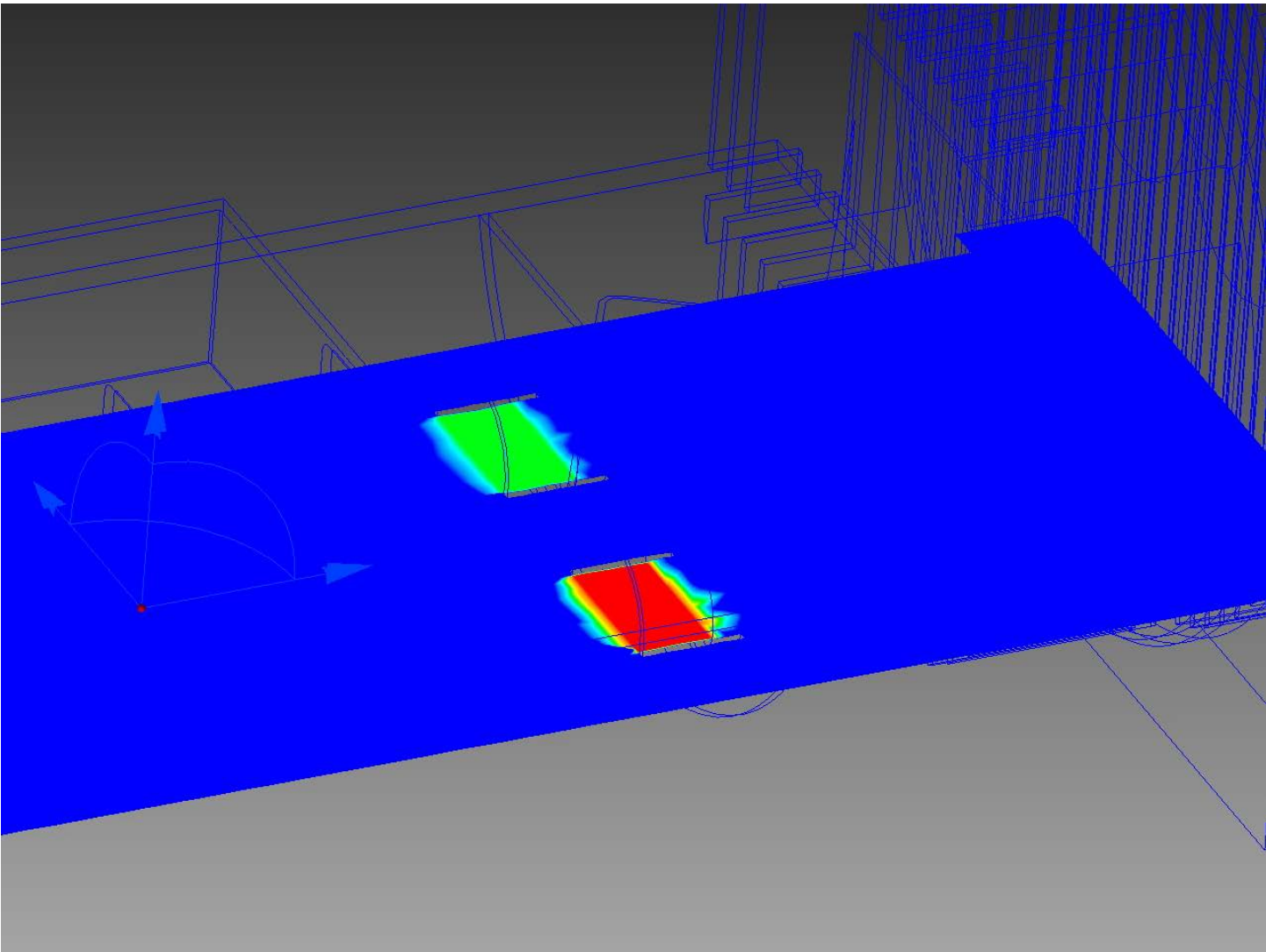


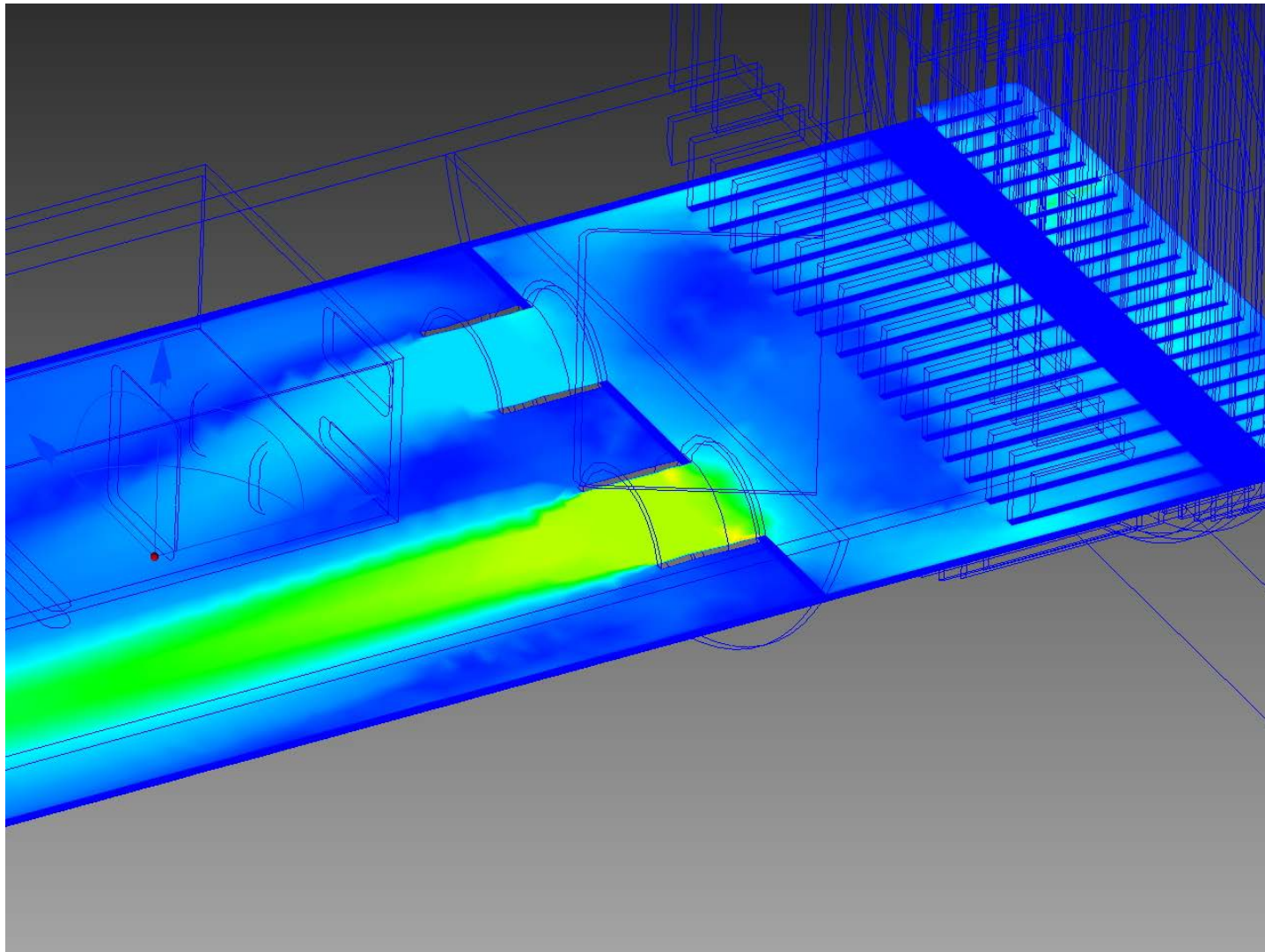
Successful Start



After geometry tweak



Fix attempt: constant fan flow (52 CFM), with no fan rotation



Developed Flow (status file claims each fan is still pushing (52 CFM))