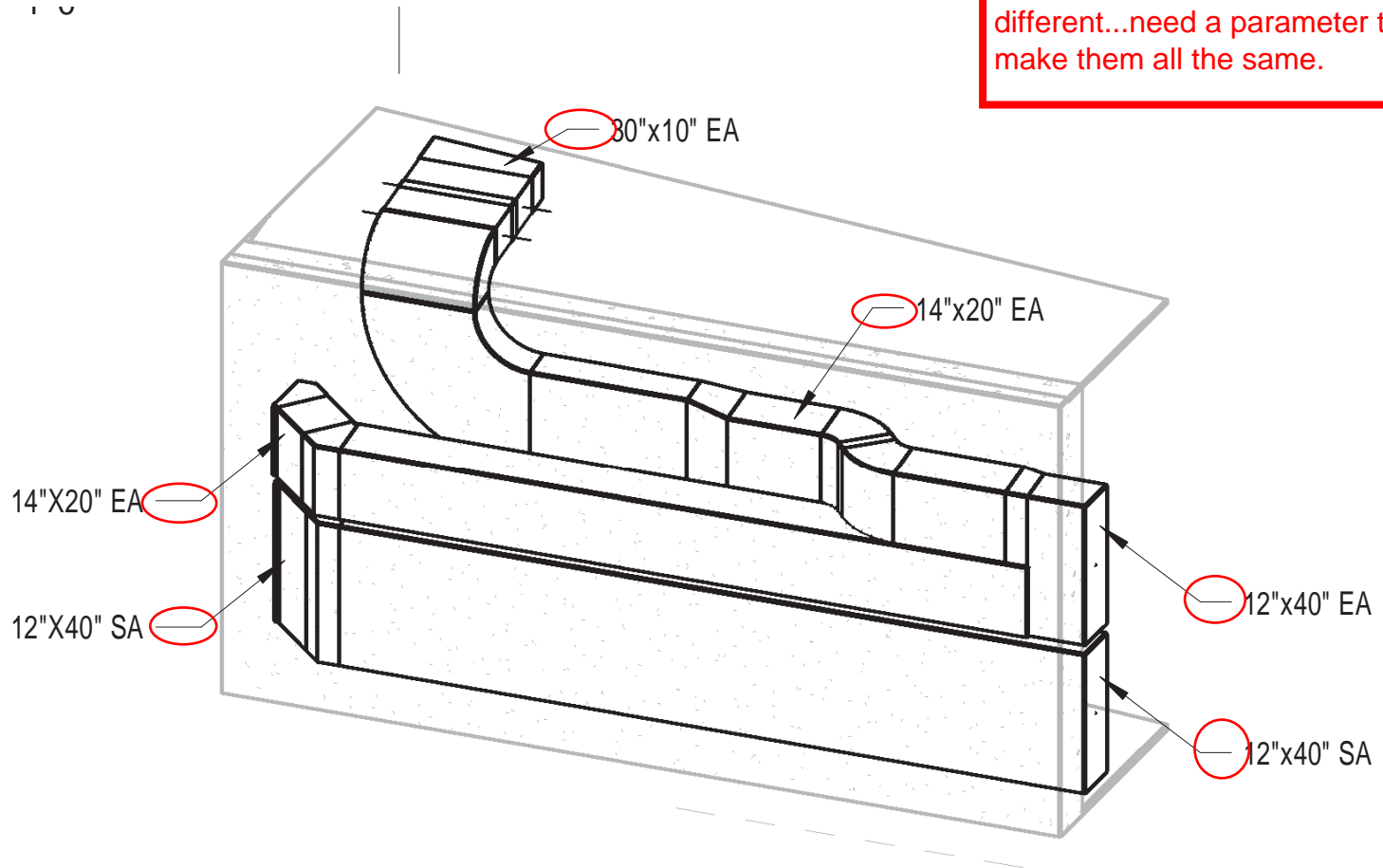


Each horizontal leader is a little different...need a parameter to make them all the same.



# 3D VIEW 5 OF DUCT IN DUCT CHASE