

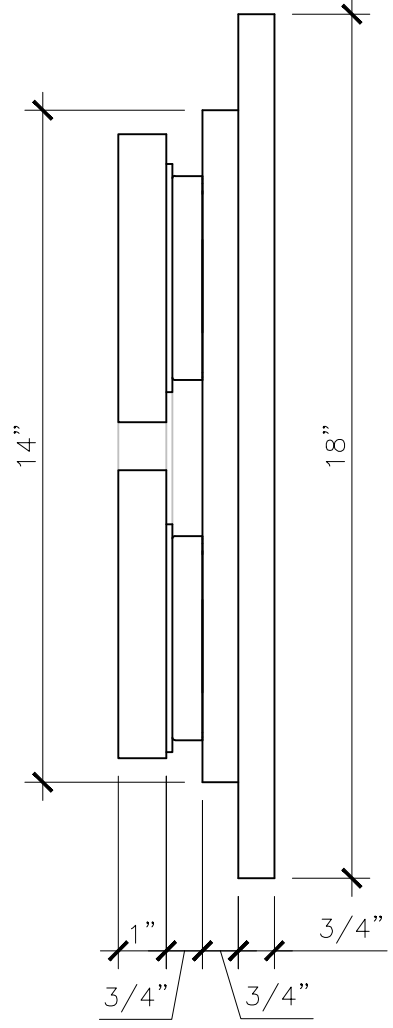
1 FRONT ELEVATION

MORGAN SMITH INDUSTRIES, LLC
 132 Industrial Drive
 Columbia, KY 42728

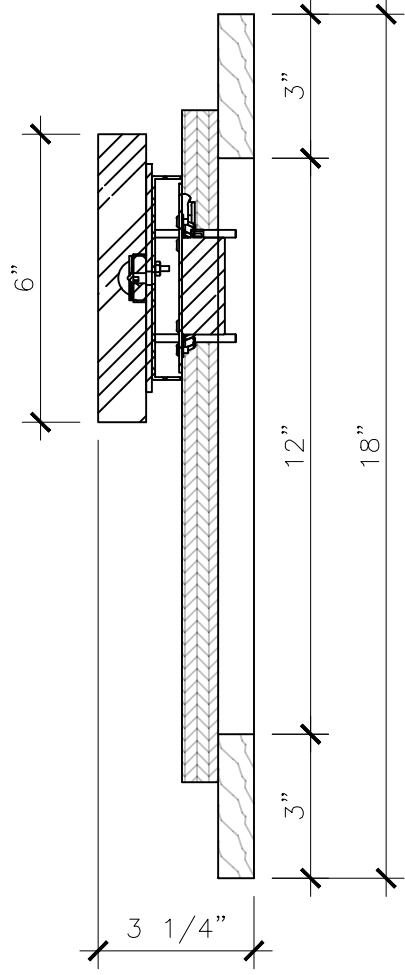
Project Title: Washington County High School
 Project Number:
 Project Address: 300 US 150 Bypass Hwy Springfield KY
 Project Phone:
 Project E-Mail:
 Contractor:
 Sheet Title: ENERGY DISPLAY UNIT FRONT ELEVATION

REVISIONS:			
No.	Date:	By:	Description:

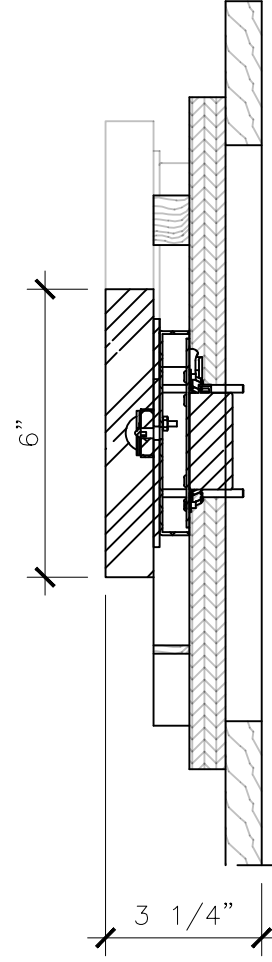
Drafter	S JONES
Date Issued	03/03/2014
Sheet Number	A-01



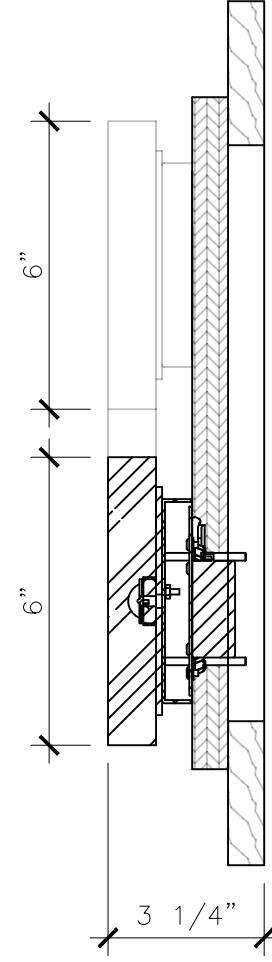
1 ELEVATION



2 SECTION



3 SECTION



4 SECTION

**MORGAN SMITH
INDUSTRIES, LLC**

Project Title: Washington County High School
 Project Number: 300 US 150 Bypass Hwy Springfield KY
 Project Address:
 Project Phone:
 Project E-Mail:
 Contractor:

Sheet Title: ENERGY DISPLAY UNIT
 SIDE ELEVATION AND SECTIONS

REVISIONS:			
No.	Date:	By:	Description:
▲			
▲			
▲			
▲			
▲			
▲			
▲			
▲			
▲			

Drafter S JONES
 Date Issued 03/03/2014
 Sheet Number A-02