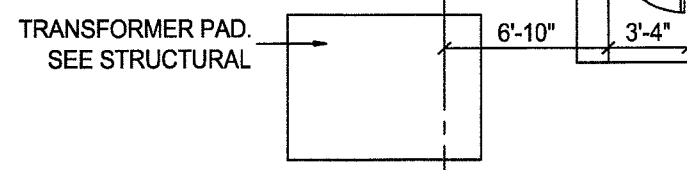
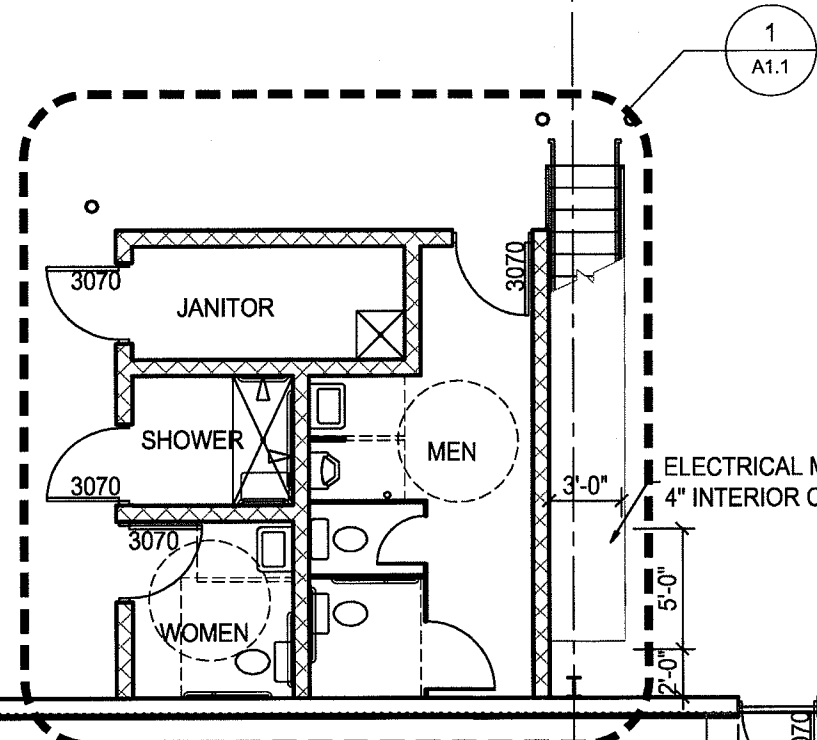


ST

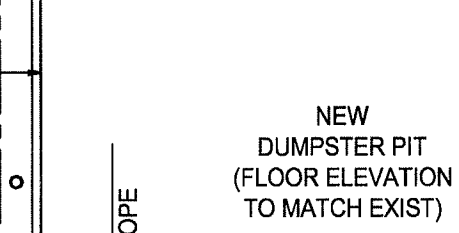
3" %  
@ OUTSIDE  
ONLY



SAW-CUT AND REMOVE TOP OF EXIST FOUNDATION WALL TO MIN 99'-4"

(4) NEW PIT BOLLARDS TO MATCH EXISTING

(10) NEW BOLLARDS TO MATCH EXISTING COORDINATE LOCATIONS w/ OWNER



SEE STRUCTURAL DRAWINGS FOR REQUIRED FOUNDATION MODIFICATIONS AND TIE-IN

EXISTING EXPOSED PIER TO REMAIN

NEW 20'x20' INSULATED DOOR TO MATCH EXISTING  
NEW EXPOSED CONC. PIER TO MATCH ADJACENT EXISTING

Plotted Line Quality Example. Observe Quality SOLID Lines

11

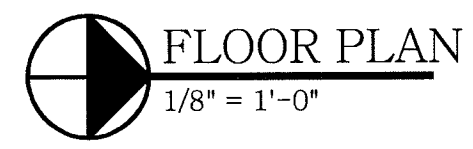
10

9

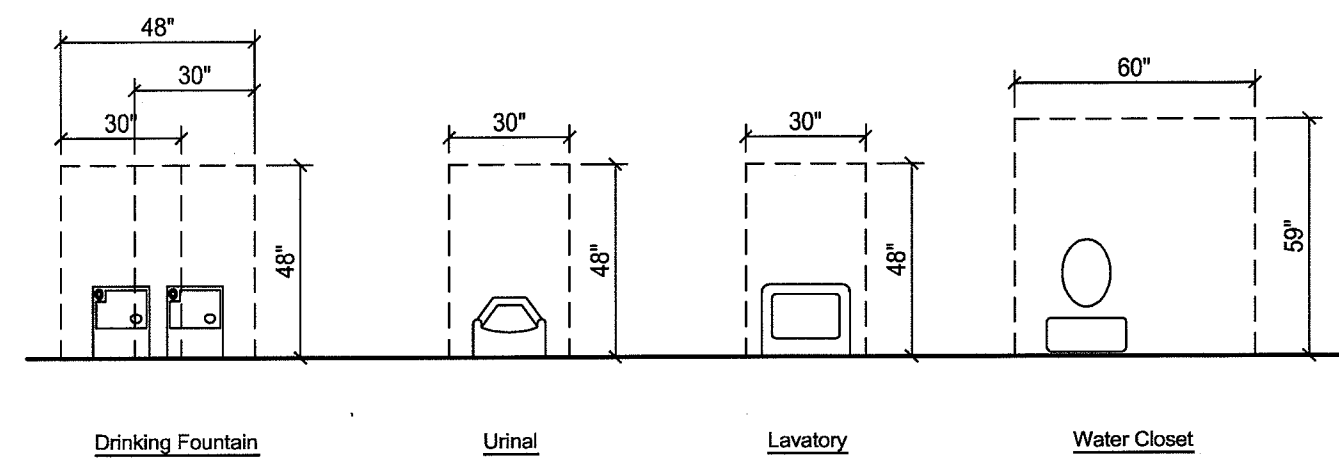
8.1

8

7



WOOD STAIR:  
 (3) STRINGERS 2x12  
 NON-COM WOOD  
 TREAD - 3/4" NON-COM PLYWOOD  
 RISERS - 1/2" NON-COM PLYWOOD  
 SUPPORTS NON-COM 2x4

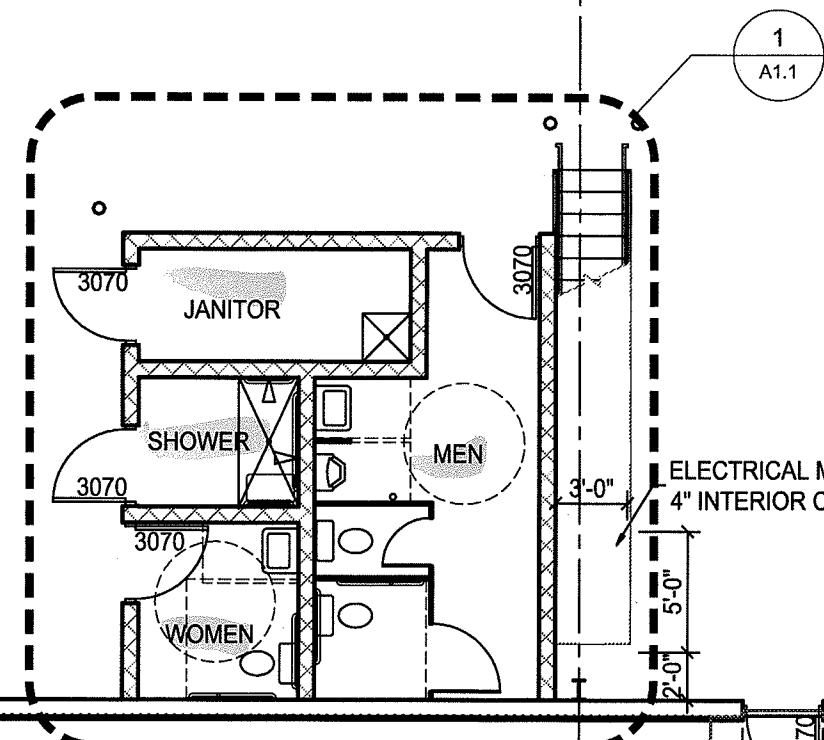


18" VERTICAL GRAB BAR

**CLEAR FLOOR SPACE PLANS**

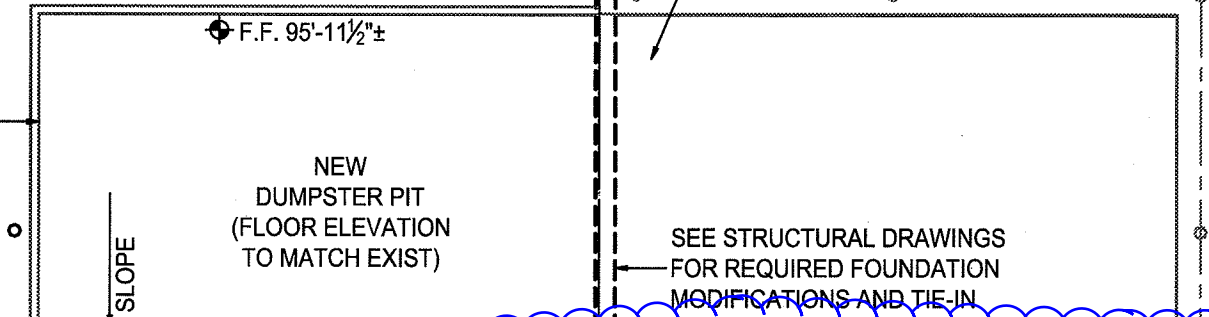
2013 via net config

0 @ 16" %  
PANEL @ OUTSIDE  
WALL ONLY



(4) NEW PIT BOLLARDS TO MATCH EXISTING

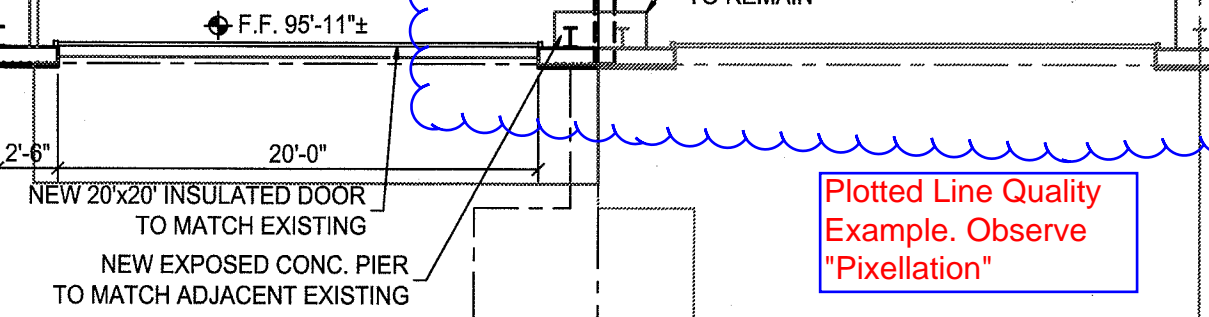
(10) NEW BOLLARDS TO MATCH EXISTING COORDINATE LOCATIONS W/ OWNER



TRANSFORMER PAD. SEE STRUCTURAL

6'-10"

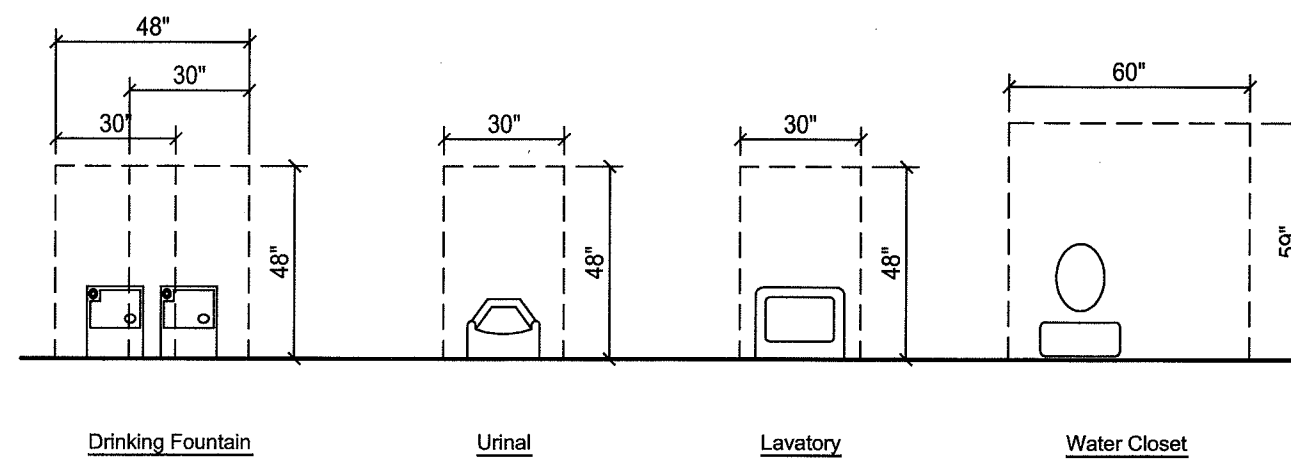
3'-4"



Plotted Line Quality  
Example. Observe  
"Pixellation"

**FLOOR PLAN**  
1/8" = 1'-0"

WOOD STAIR:  
(3) STRINGERS 2x12  
NON-COM WOOD  
TREAD - 3/4" NON-COM PLYWOOD  
RISERS - 1/2" NON-COM PLYWOOD  
SUPPORTS NON-COM 2x4



**CLEAR FLOOR SPACE PLANS**

18" VERTICAL GRAB BAR

42" HORIZONTAL GRAB BAR

42" HORIZONTAL GRAB BAR

2019 new net config