

SPECIFICATIONS

CABINETY PERIMETER

MFGR.	---
CONST.	---
DOOR MTRL	---
DOOR STL	---
DRWR #1	---
DRWR #2	---
FINISH	---
CAB BOX	---
HINGES	---

CABINETY ISLAND

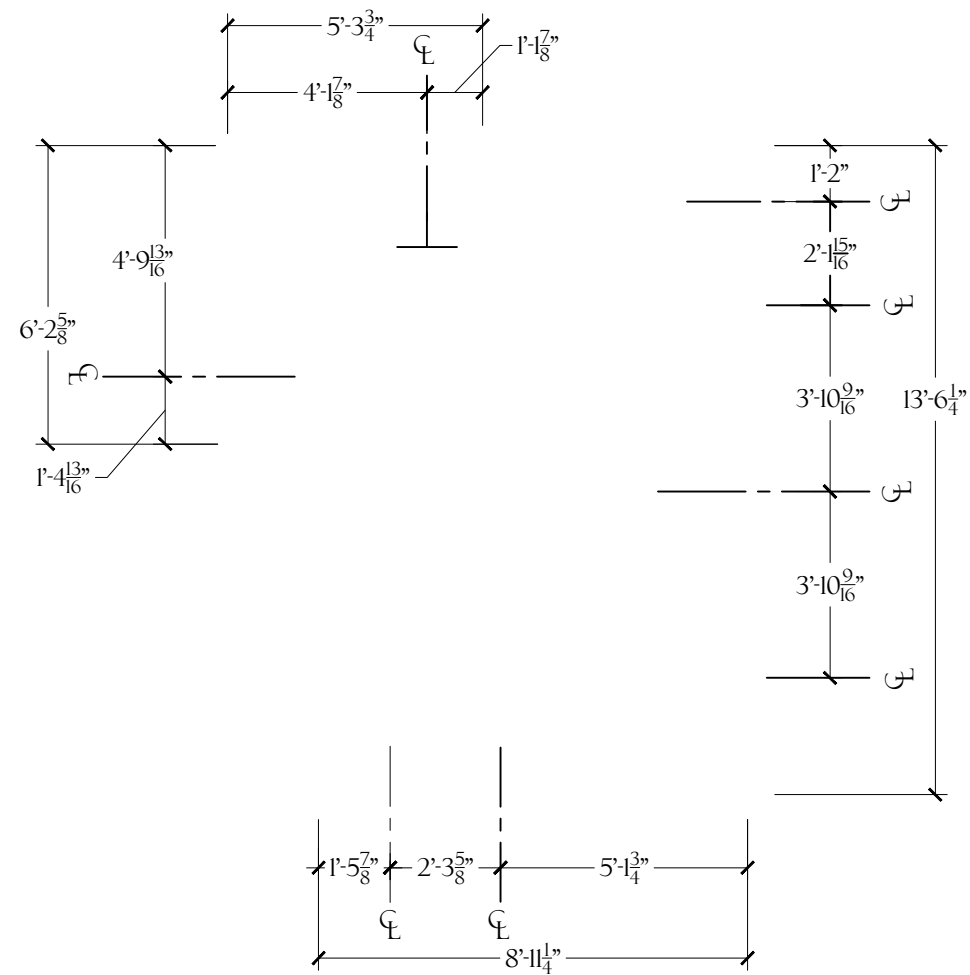
DOOR STL	---
DRWR #1	---
DRWR #2	---
FINISH	---
CAB BOX	---
HINGES	---

APPLIANCES

RANGE	---
REFRIG	---
HOOD	---
DW	---
MICROWV	---
DISPOSAL	---

PLUMBING

SINK #1	---
FAUCET #1	---
PREP SINK	---
FAUCET #2	---



DESIGN PLANS ARE PROVIDED FOR THE FAIR USE BY THE CLIENT OR HIS/HER AGENT IN COMPLETING THE PROJECT AS LISTED WITHIN THIS CONTRACT. DESIGN PLANS REMAIN THE PROPERTY OF KENT KITCHEN WORKS AND MAY NOT BE USED OR REUSED WITHOUT THE WRITTEN AUTHORIZATION OF KENT KITCHEN WORKS.

SCALE:	DATE:
1/4" = 1'-0"	4/13/2018

DESIGNED BY:	DRAWN BY:
TN	TN

PROJECT:
JOHN & CAROLYN ROSS

DRAWING TITLE:	SHEET NO:
FLOOR PLAN	A.1