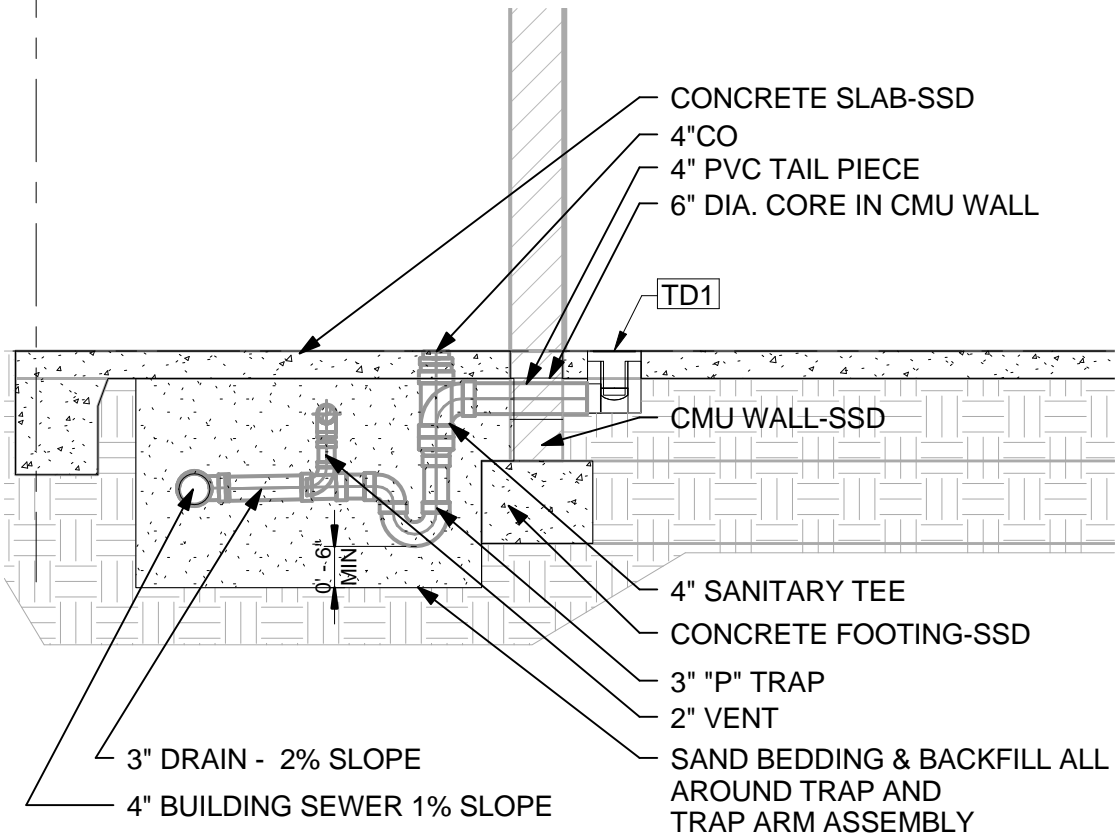


1



- CONCRETE SLAB-SSD
- 4" CO
- 4" PVC TAIL PIECE
- 6" DIA. CORE IN CMU WALL

TD1

FIN. FLR.
0' - 0"

CMU WALL-SSD

- 4" SANITARY TEE
- CONCRETE FOOTING-SSD
- 3" "P" TRAP
- 2" VENT

- 3" DRAIN - 2% SLOPE
- 4" BUILDING SEWER 1% SLOPE

SAND BEDDING & BACKFILL ALL
AROUND TRAP AND
TRAP ARM ASSEMBLY