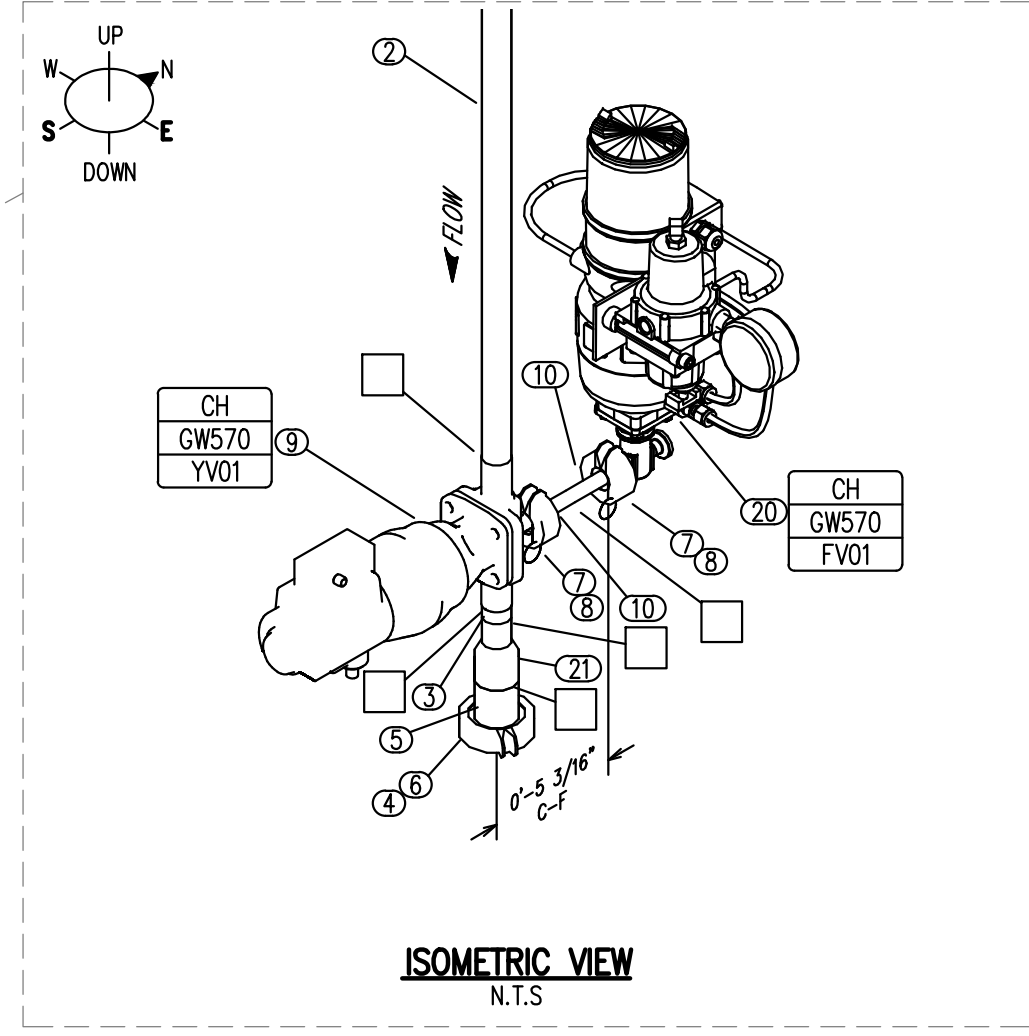


**ISOMETRIC VIEW**  
N.T.S



**ISOMETRIC VIEW**  
N.T.S

**BILL OF MATERIALS**

Item	Qty
1	1
2	1
3	1
4	1
5	1
6	1
7	2
8	2
9	1
10	2
11	1
12	1
13	1
14	1
15	1
16	1
17	1
18	2
19	1
20	1
21	1

WEIGHT 7.7 LBS.