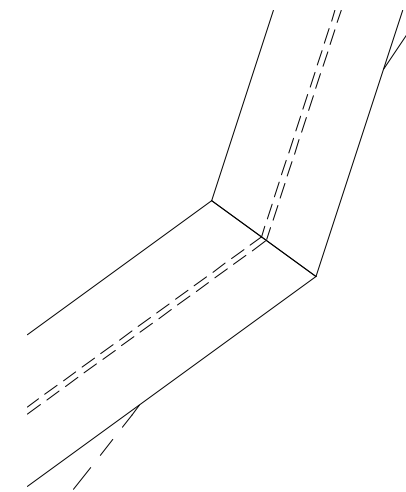
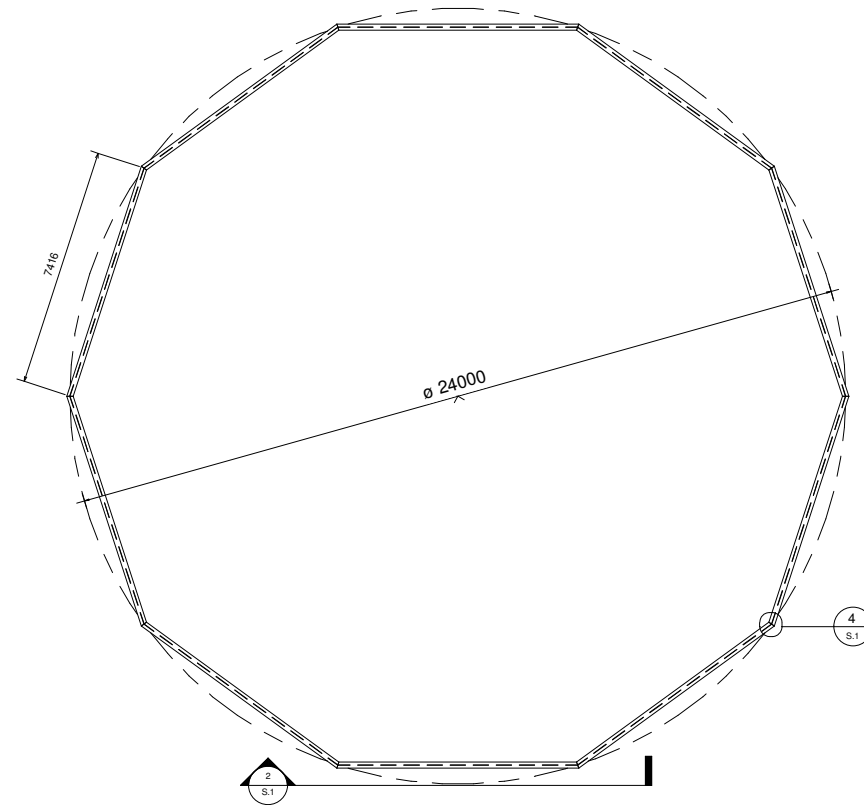


Consultant  
Address  
Address  
Phone  
Fax  
e-mail

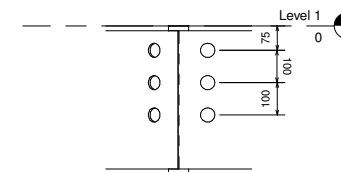
Consultant  
Address  
Address  
Phone  
Fax  
e-mail

Consultant  
Address  
Address  
Phone  
Fax  
e-mail

Consultant  
Address  
Address  
Phone  
Fax  
e-mail

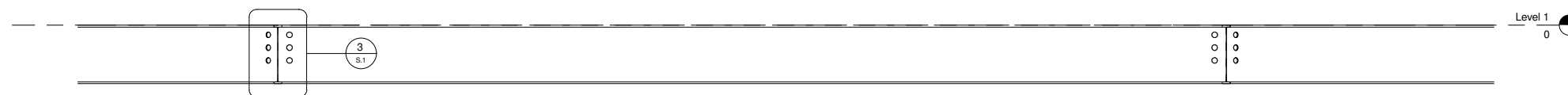


4 Callout 2  
1:5



3 Callout of Section 1  
1:10

1 Level 1  
1:100



2 Section A-A  
1:20

No.	Description	Date

Owner  
Project Name  
Unnamed

Project number Project Number  
Date Issue Date  
Drawn by Author  
Checked by Checker

S.1  
Scale As indicated