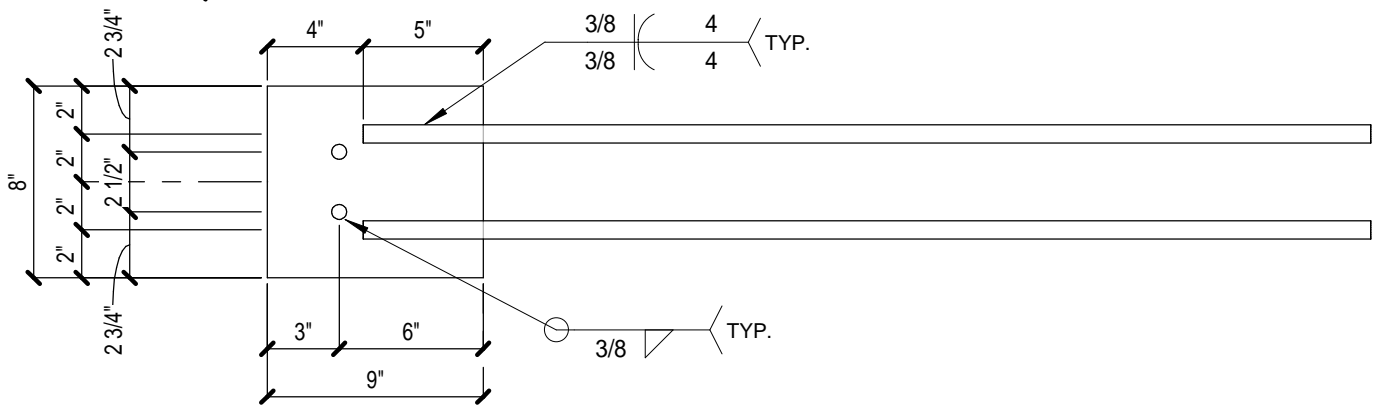
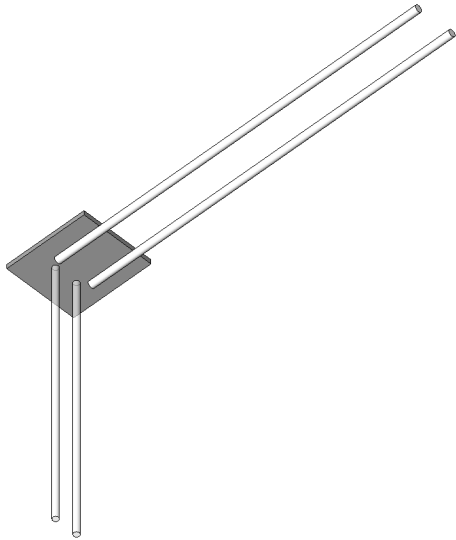


PL 1/2"x8"x0'-9" w/
2-#5x2'-6" A706 vert. @
2 1/2" & 2-#6 x 3'-6" A706
horiz. @ 4" (RECESS 1")
P-02



**Watson Structural
Engineering**

1062 NW Redwing Dr.
Oak Harbor, Washington 98277
Ph: (360) 544-8574 Fax: (360) 544-8619

P-02

PRECAST EMBED SAMBLE

CLIENT
ADDRESS