

Progress Set

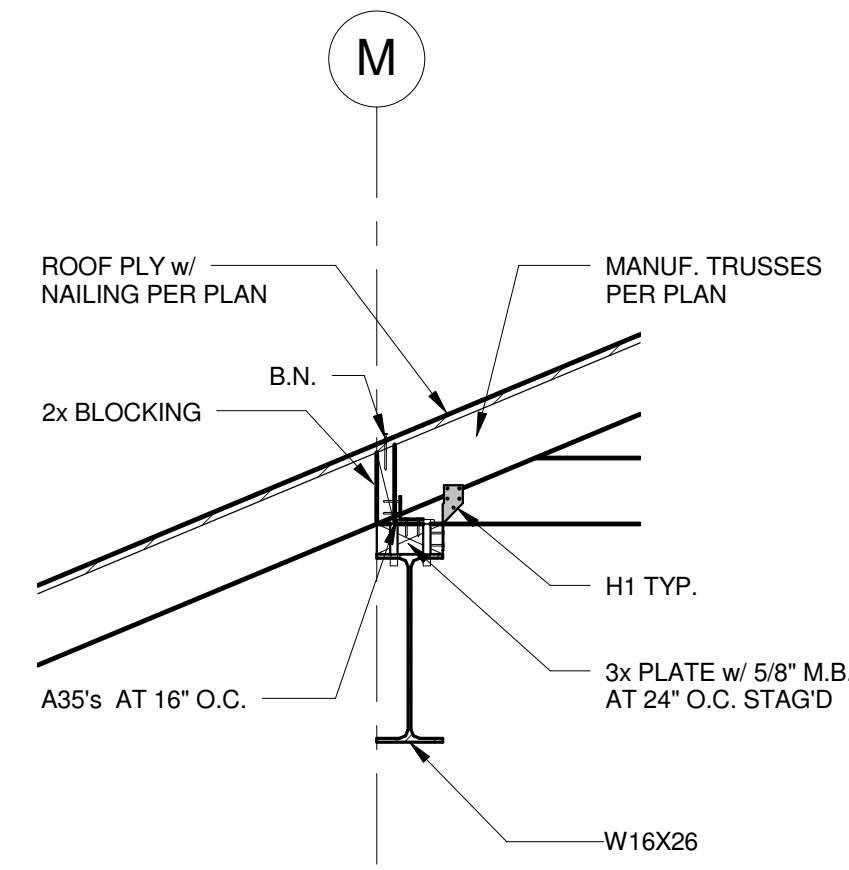
FORBES DUNAGAN
 STRUCTURAL ENGINEERS
 5475 Louie Lane, Suite #D
 Reno, Nevada 89511
 Ph. (775) 857-3744
 Fax (775) 857-3742

Gondola Vista Residential Duplex Homes
 South Lake Tahoe, California

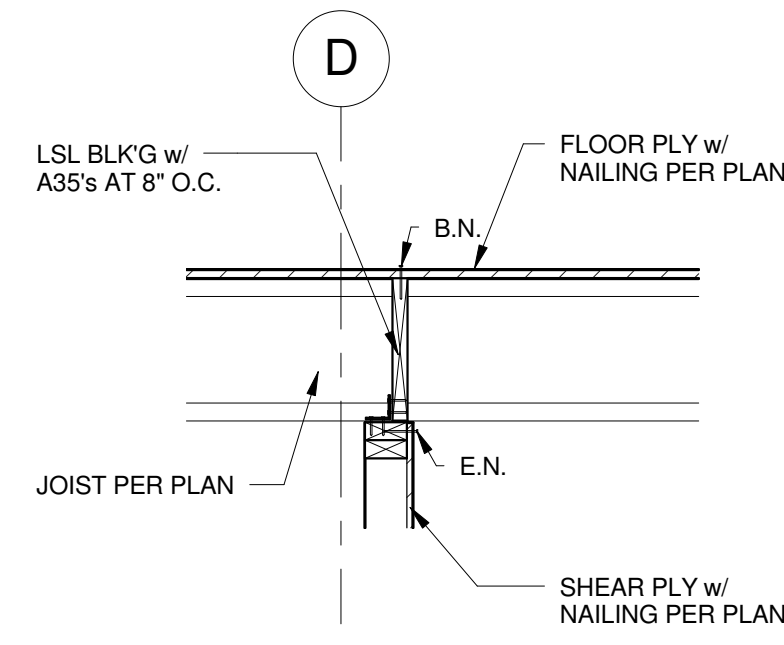
DATE 7-29-05
 JOB NO 7920
 DRAWN ER
 CHECKED BDD

PRELIMINARY NOT FOR CONSTRUCTION
 10/13/2005 2:07:55 PM

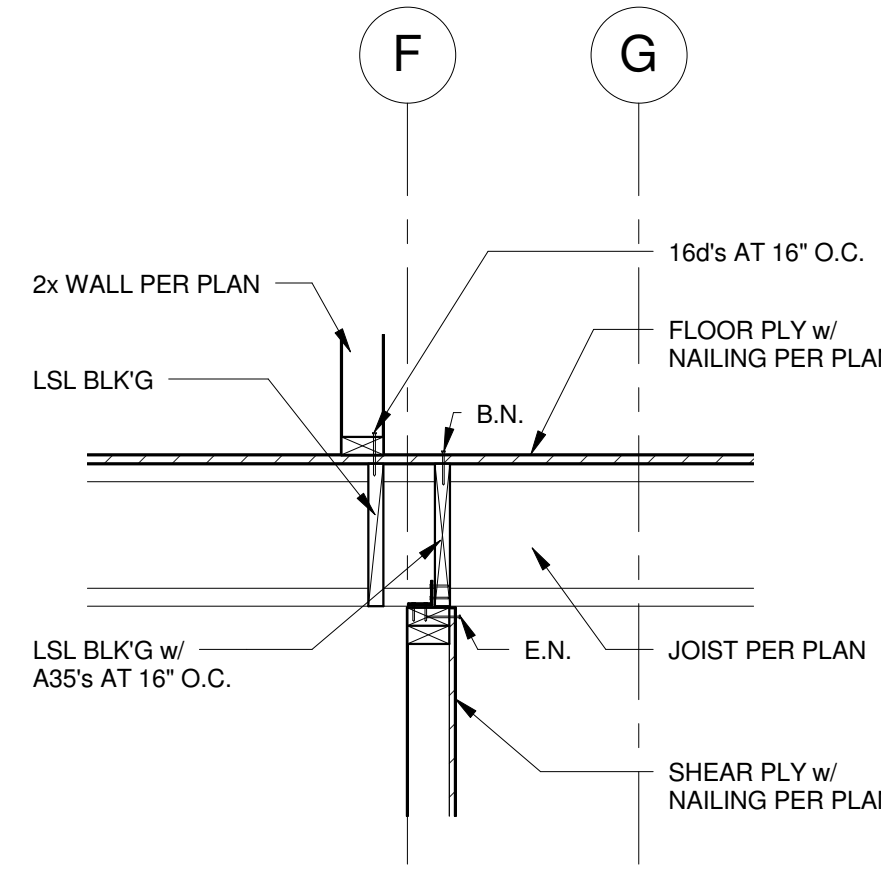
Details Building A
 S5.2



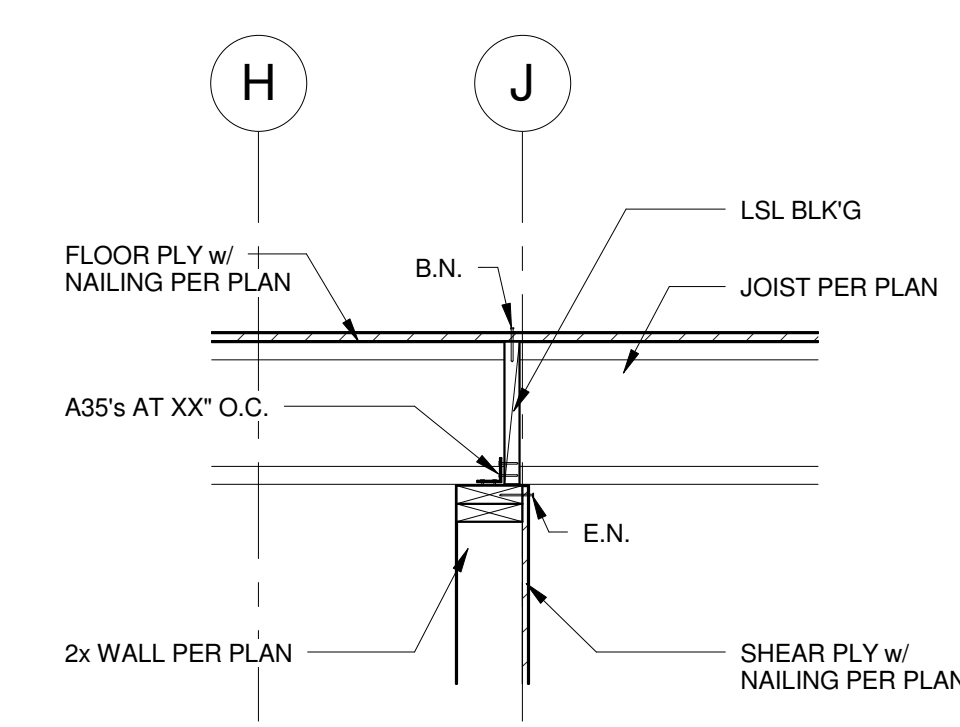
20 DETAIL
 3/4" = 1'-0"



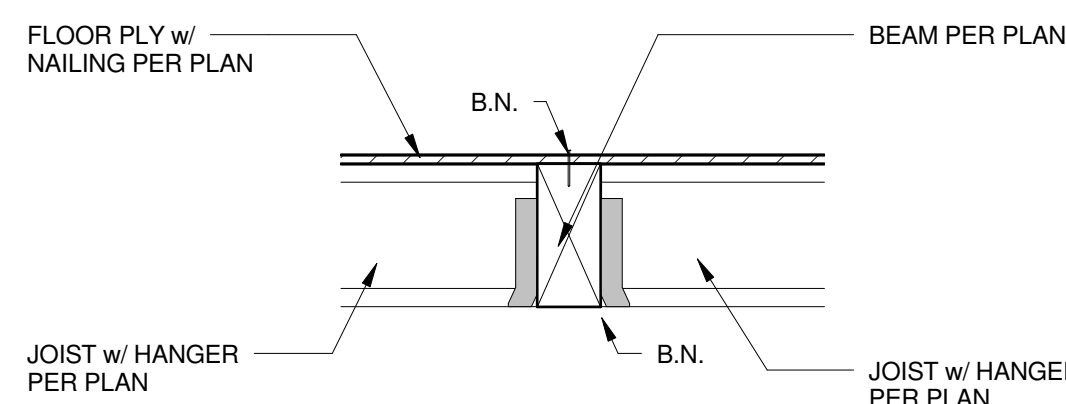
15 DETAIL
 3/4" = 1'-0"



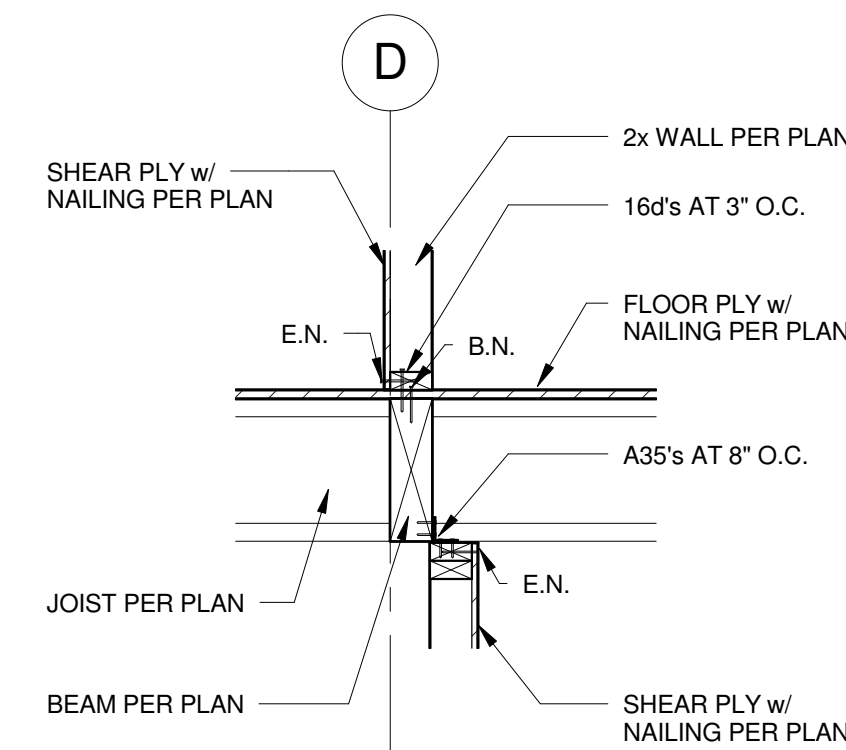
10 DETAIL
 3/4" = 1'-0"



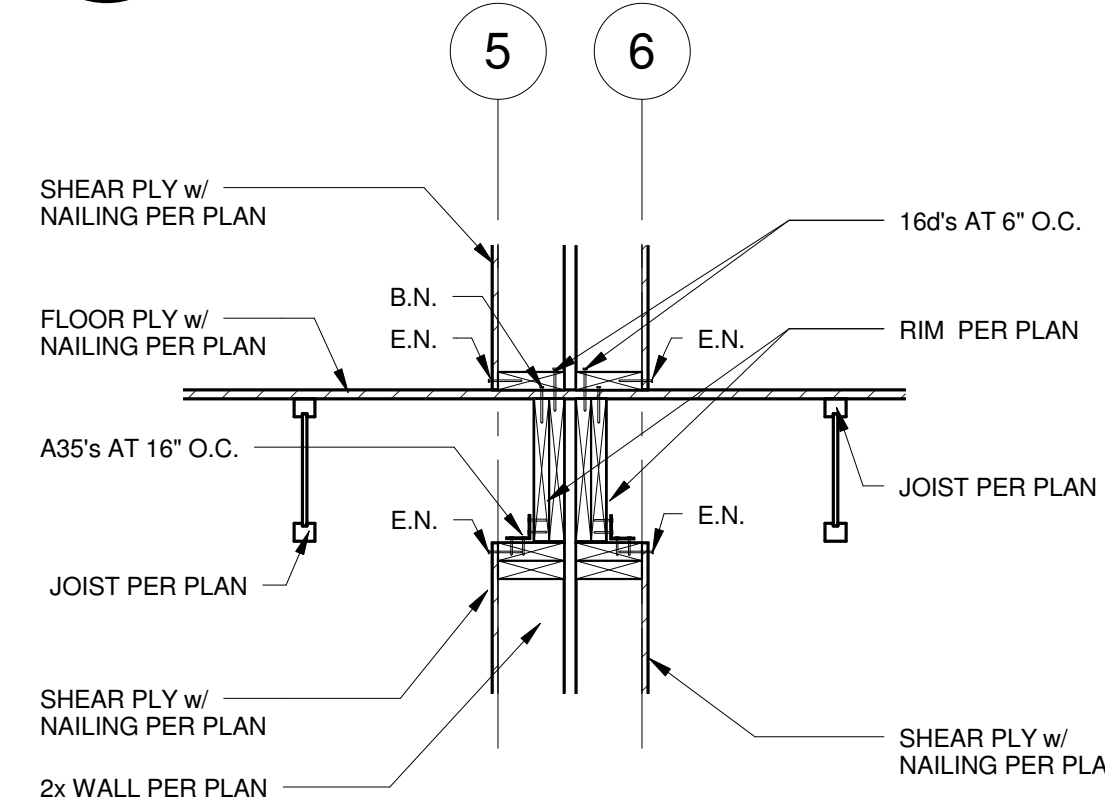
5 DETAIL
 3/4" = 1'-0"



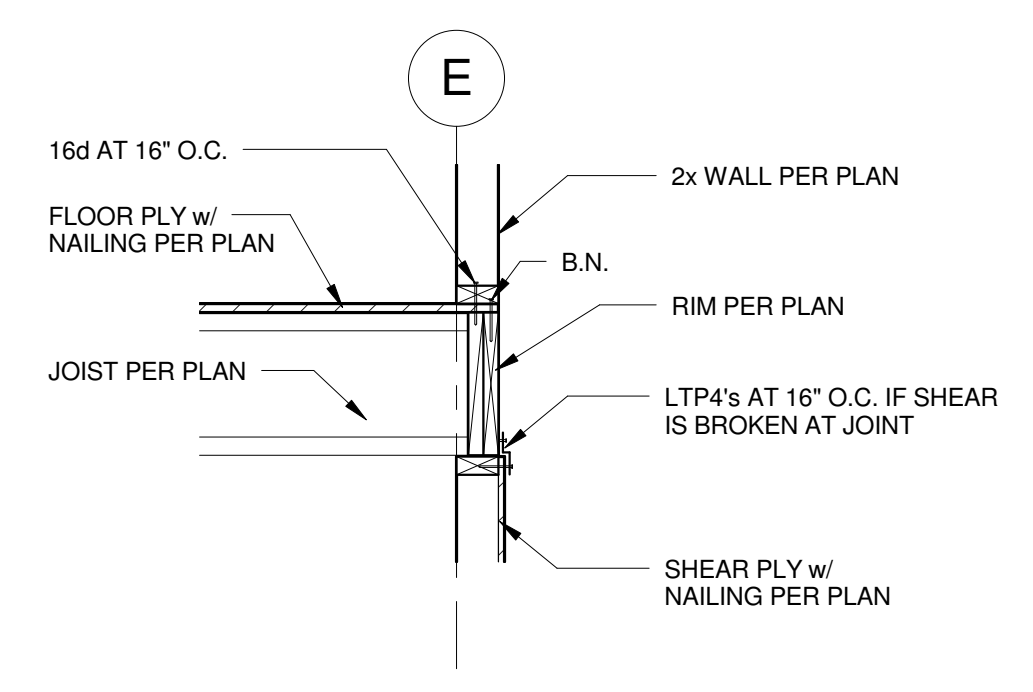
19 DETAIL
 3/4" = 1'-0"



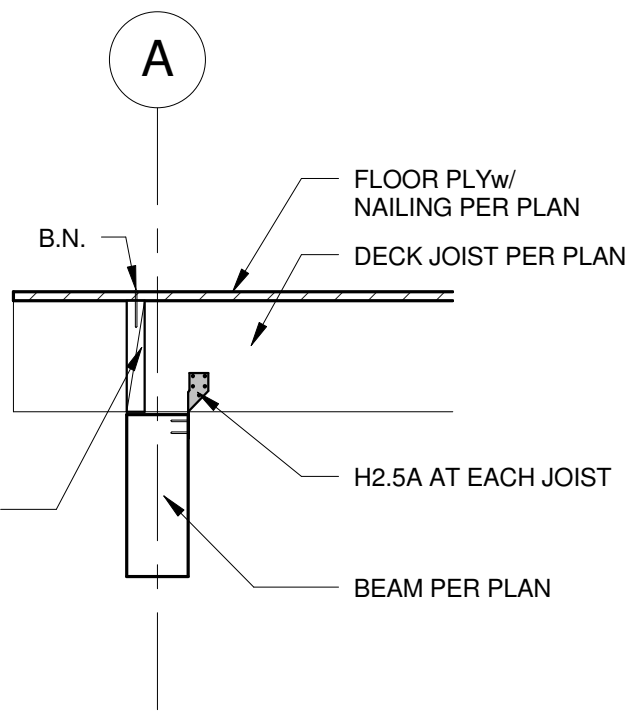
14 DETAIL
 3/4" = 1'-0"



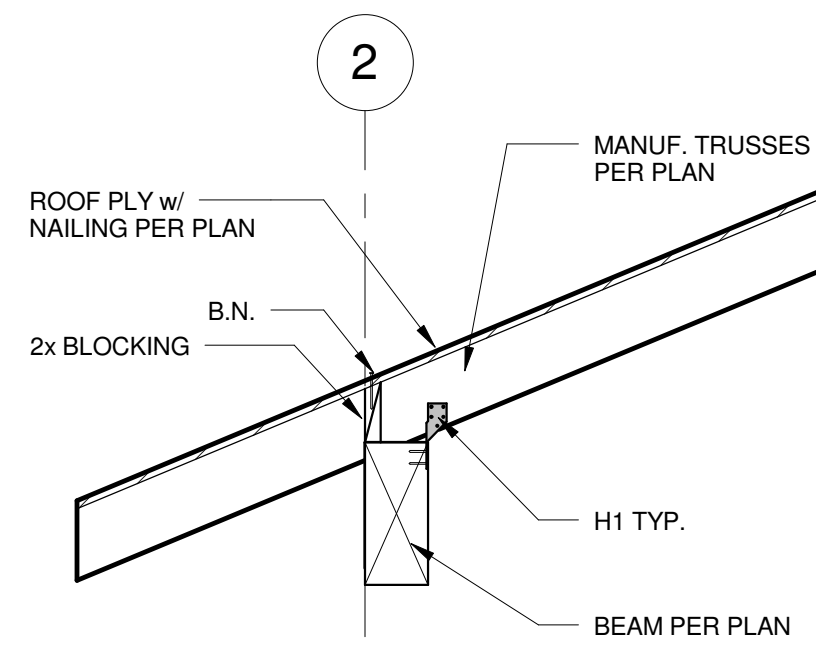
9 DETAIL
 3/4" = 1'-0"



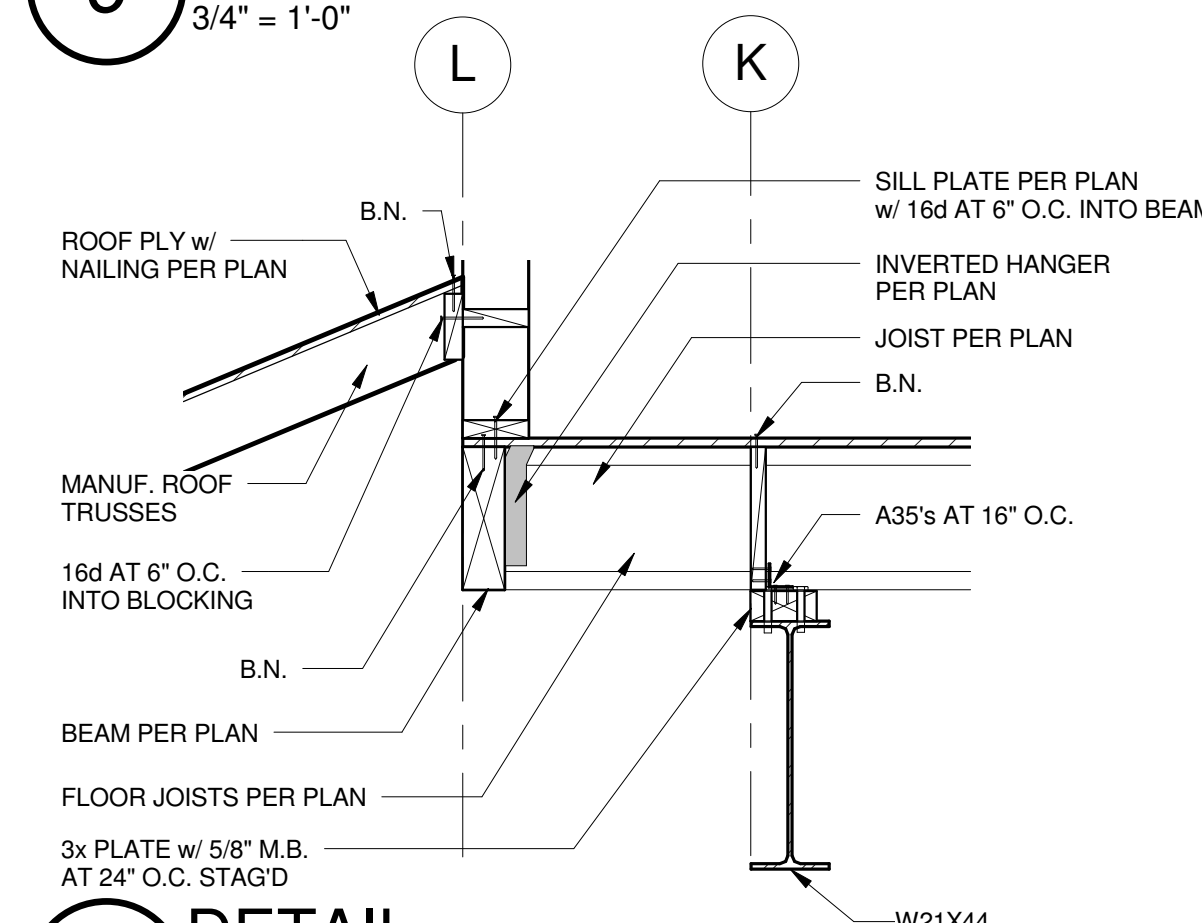
4 DETAIL
 3/4" = 1'-0"



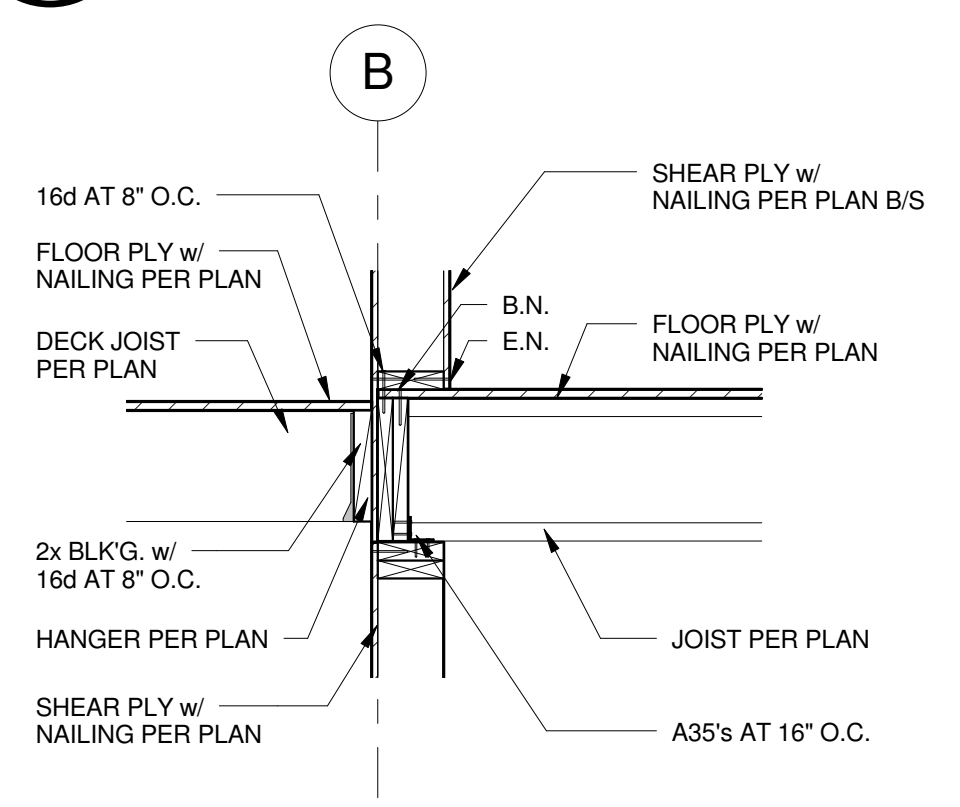
18 DETAIL
 3/4" = 1'-0"



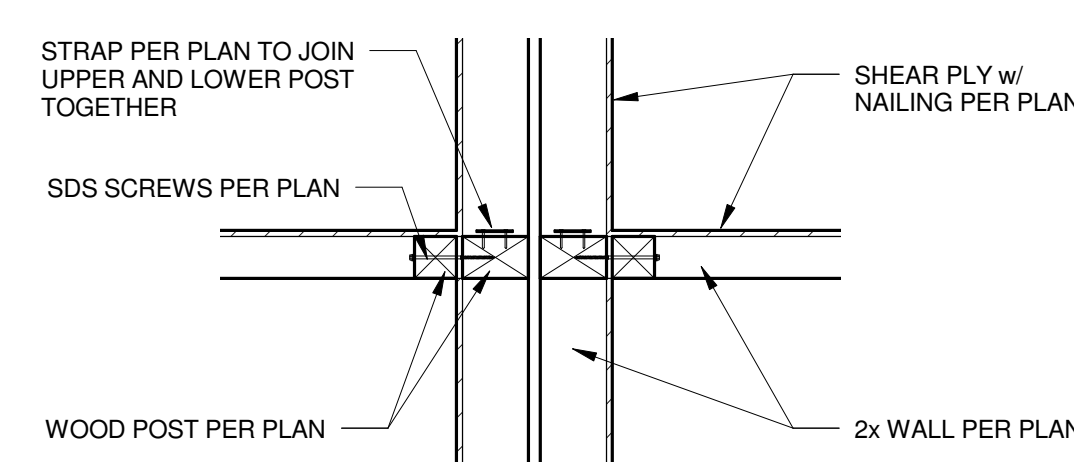
13 DETAIL
 3/4" = 1'-0"



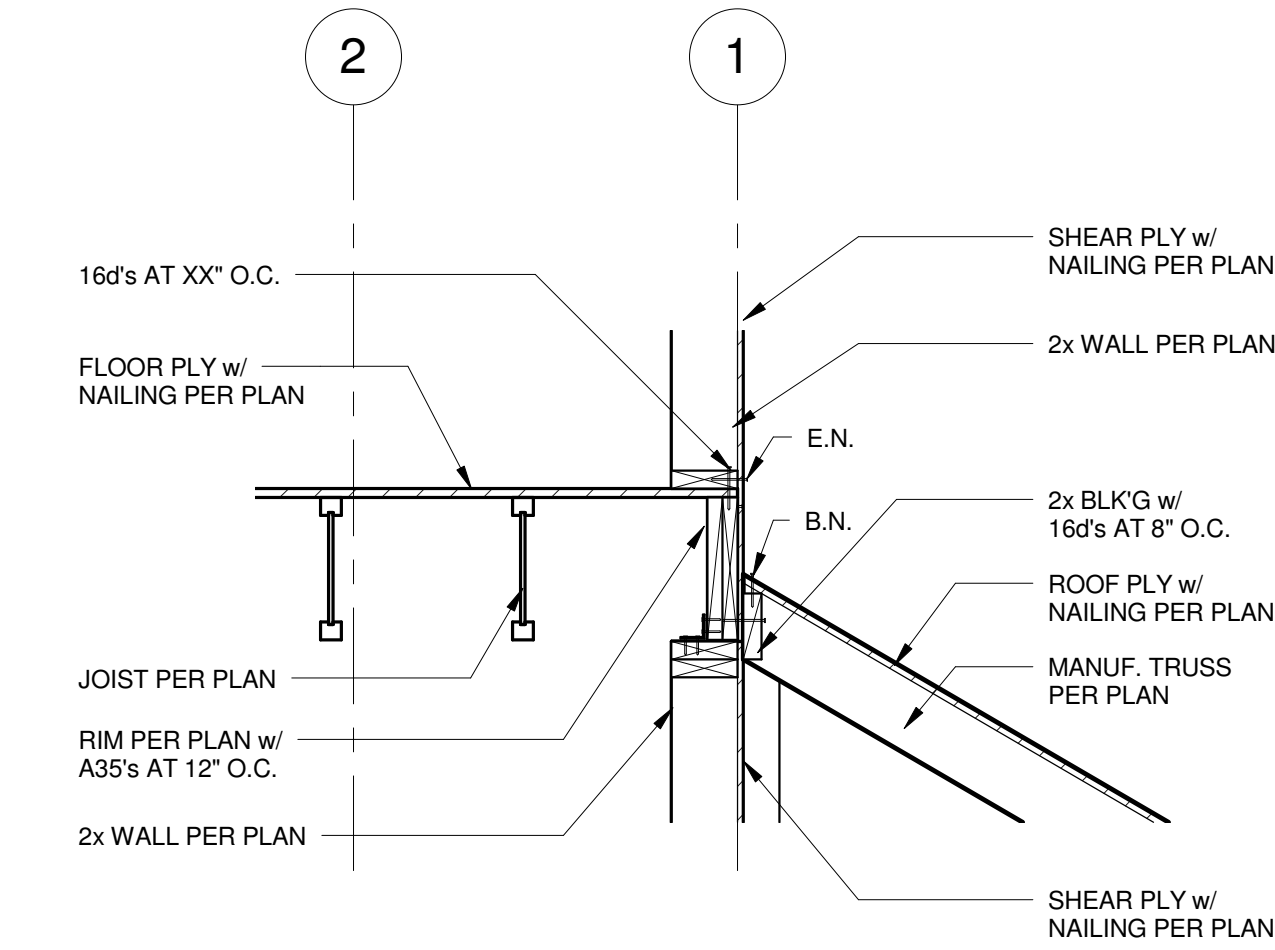
8 DETAIL
 3/4" = 1'-0"



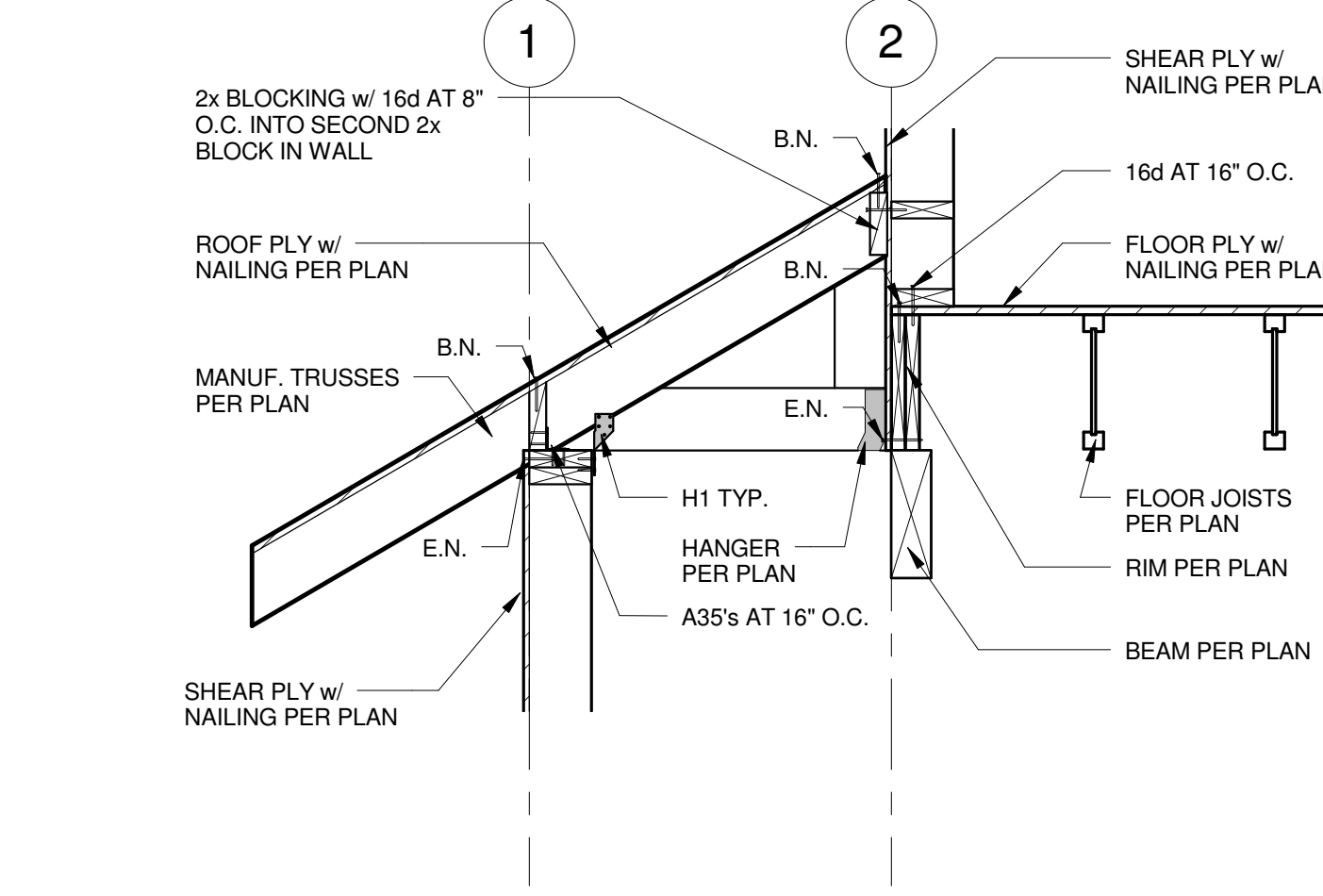
3 DETAIL
 3/4" = 1'-0"



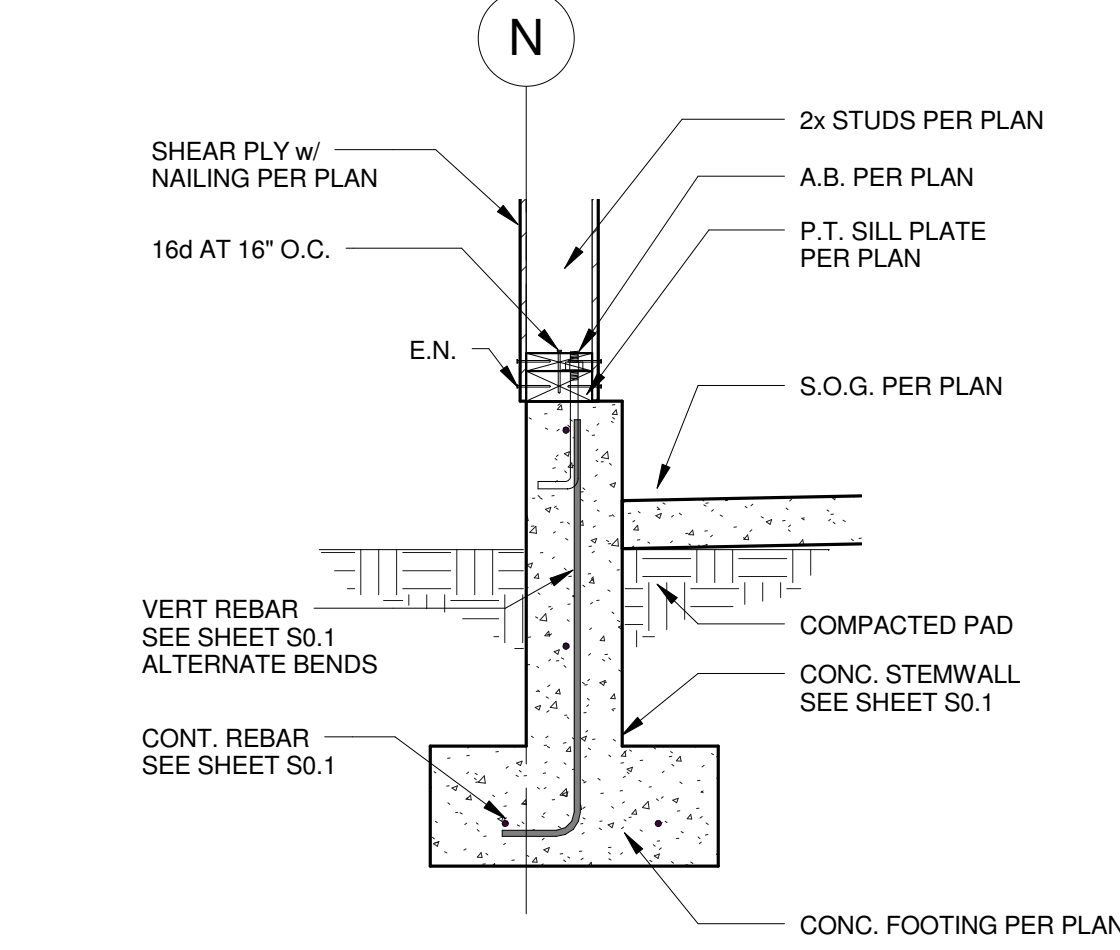
17 DETAIL
 3/4" = 1'-0"



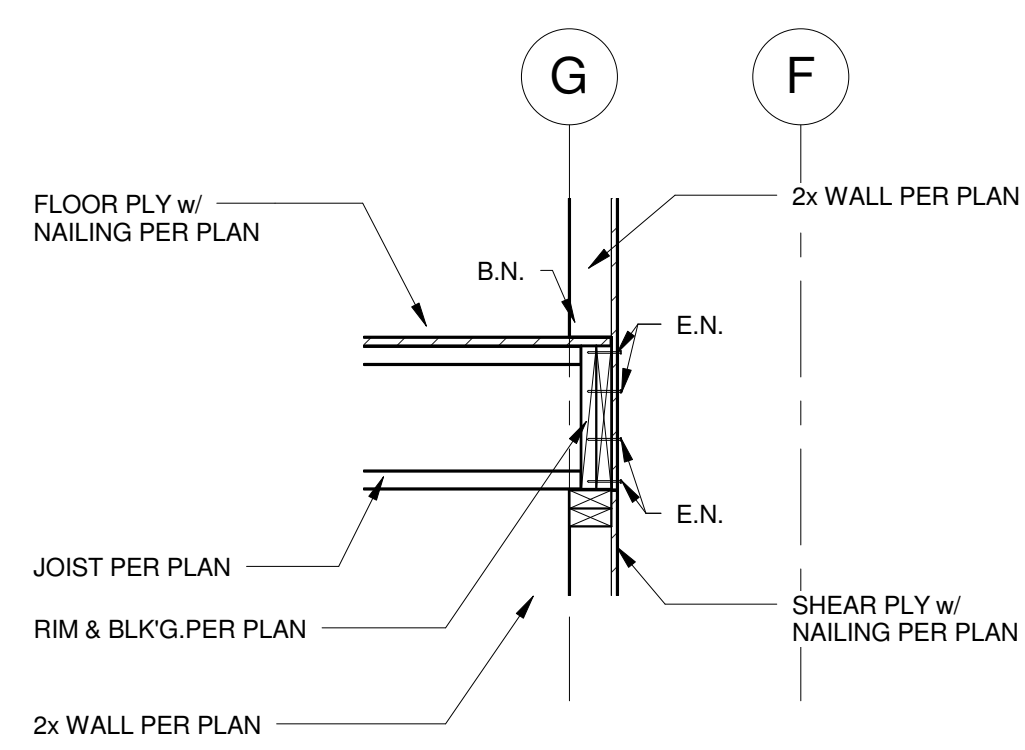
12 DETAIL
 3/4" = 1'-0"



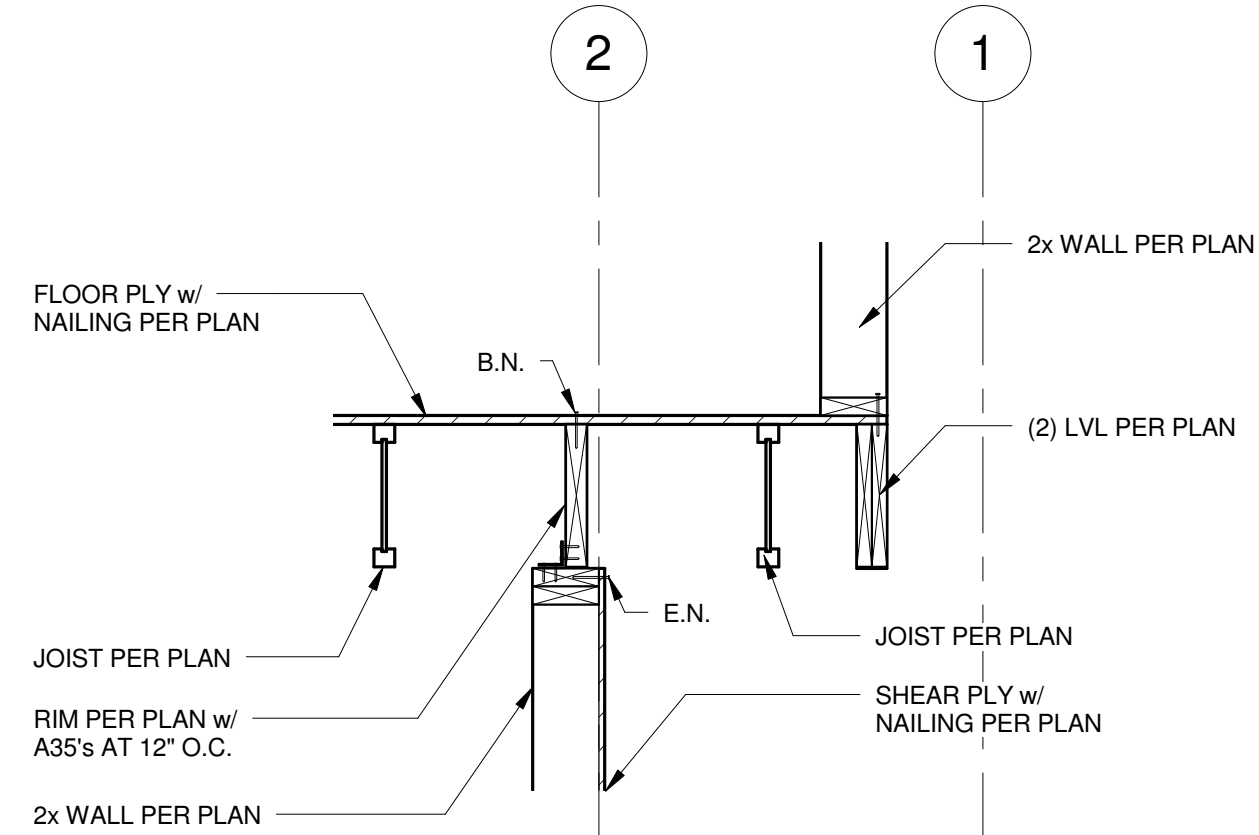
7 DETAIL
 3/4" = 1'-0"



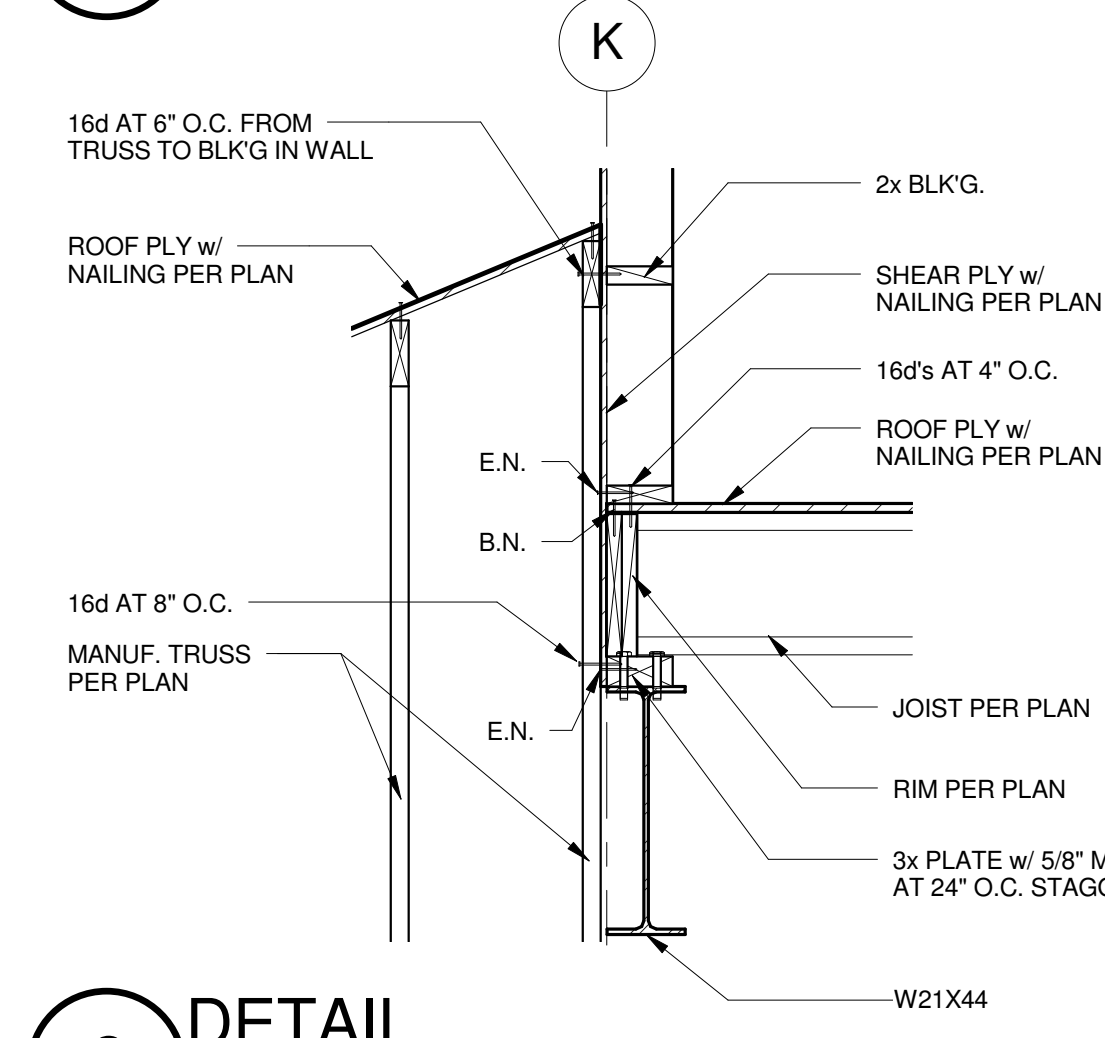
2 DETAIL
 3/4" = 1'-0"



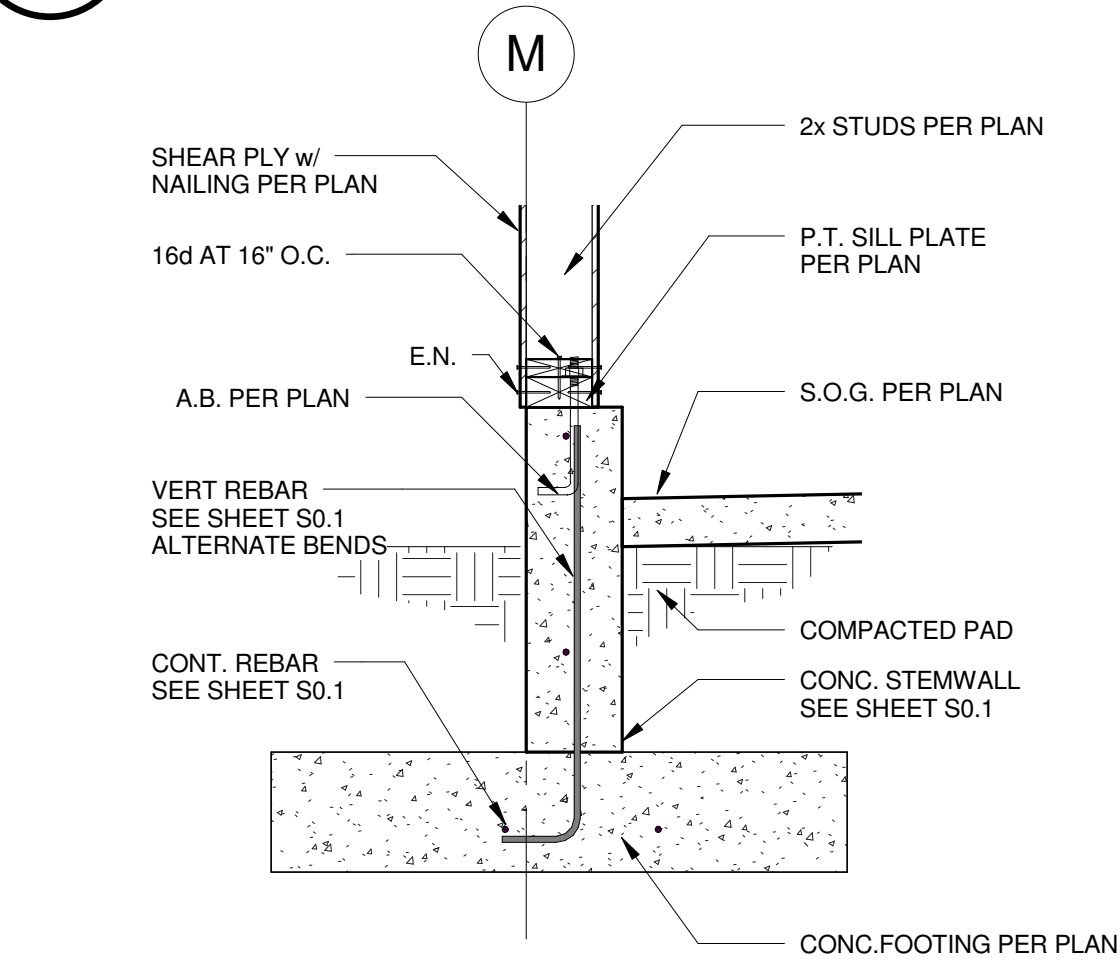
16 DETAIL
 3/4" = 1'-0"



11 DETAIL
 3/4" = 1'-0"



6 DETAIL
 3/4" = 1'-0"



1 DETAIL
 3/4" = 1'-0"