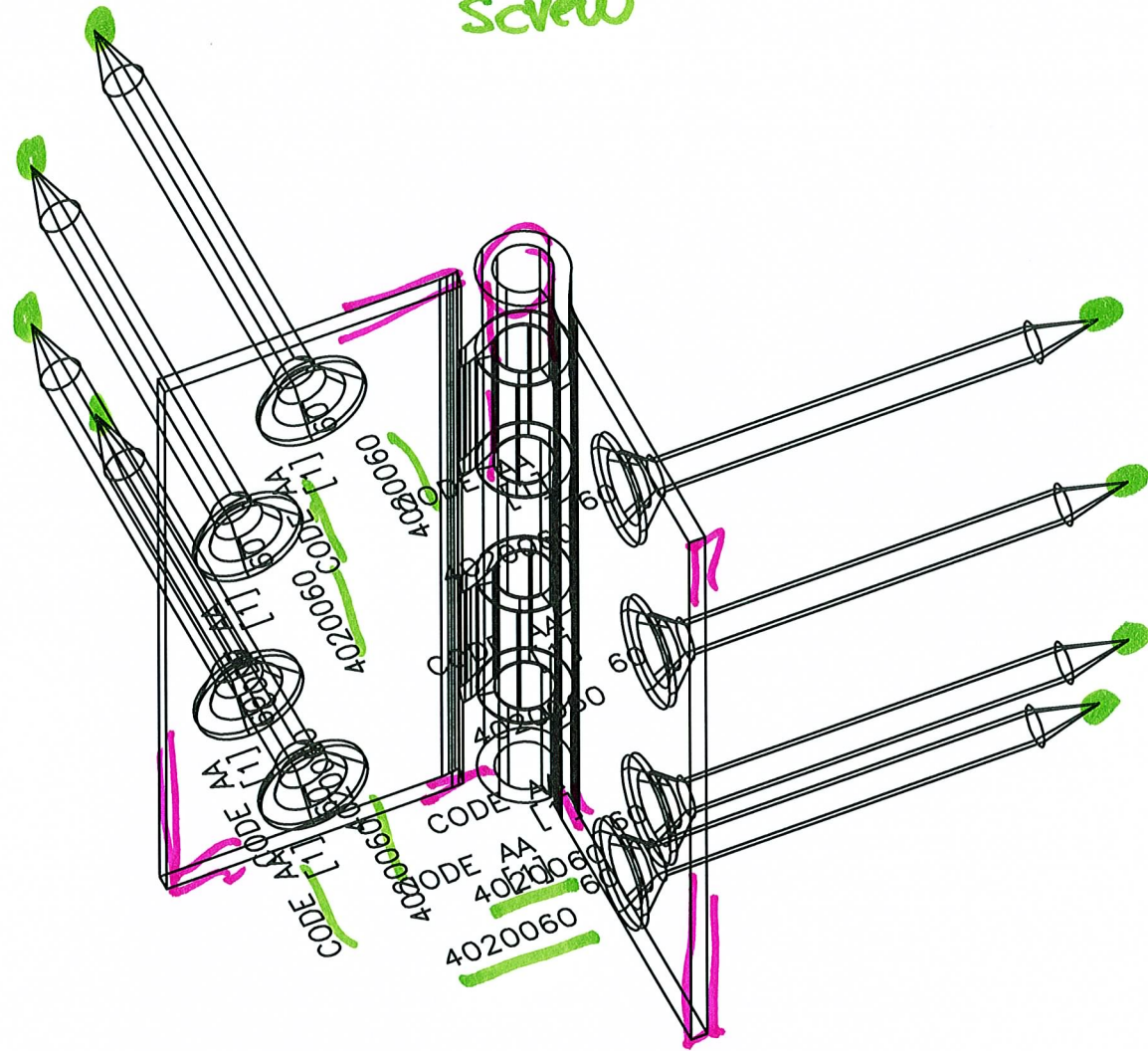


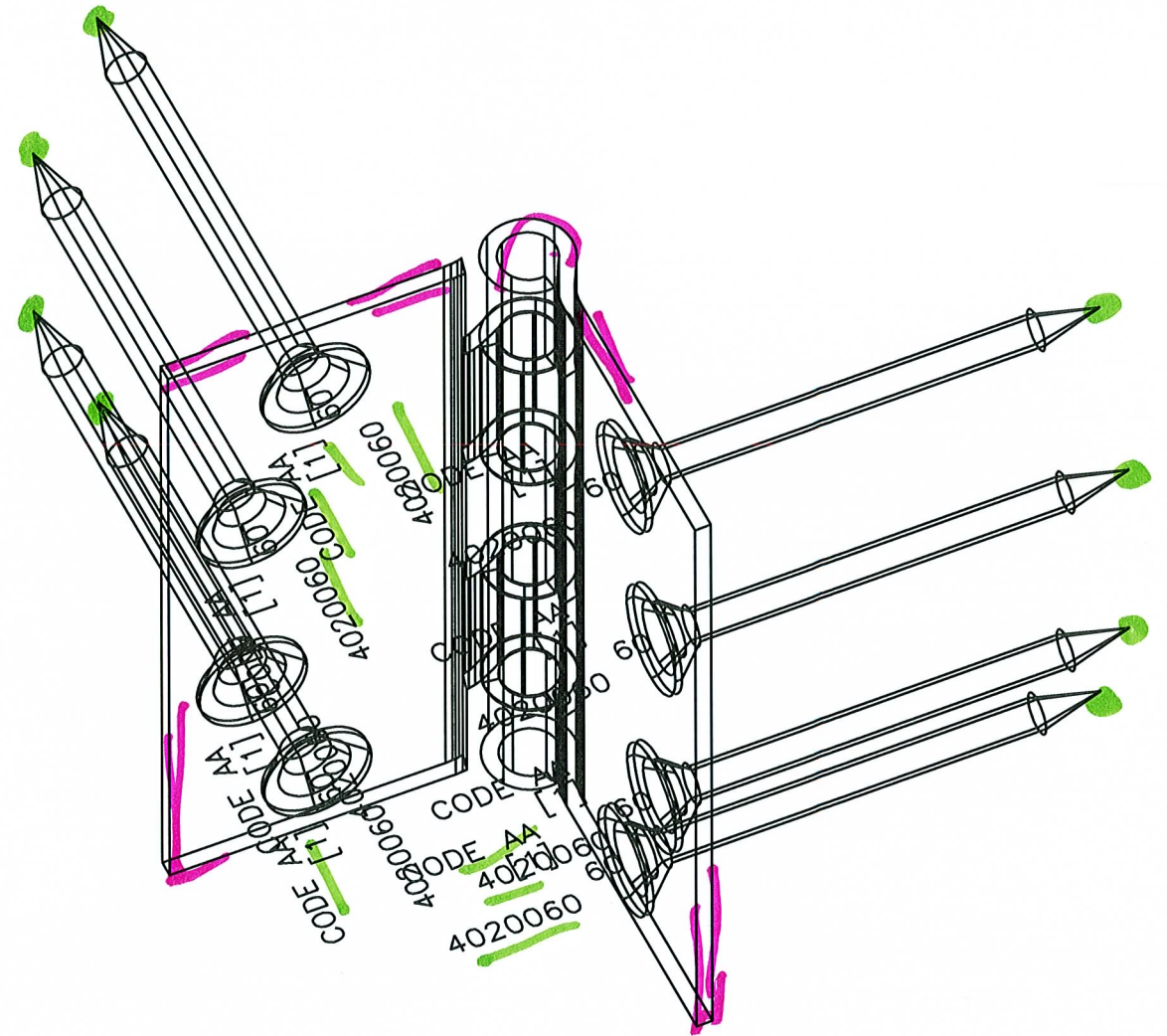
Block: Hinge + Screws

- nested Block. Attv = Code AA
Screw



- nested Block
hinge Attv =

Code AA
[1]
4060130



CODE AA
[1]
4060130

- nested block Attv. should be:
Code BB

- nested block Hinge Attv.
should be: Code BB