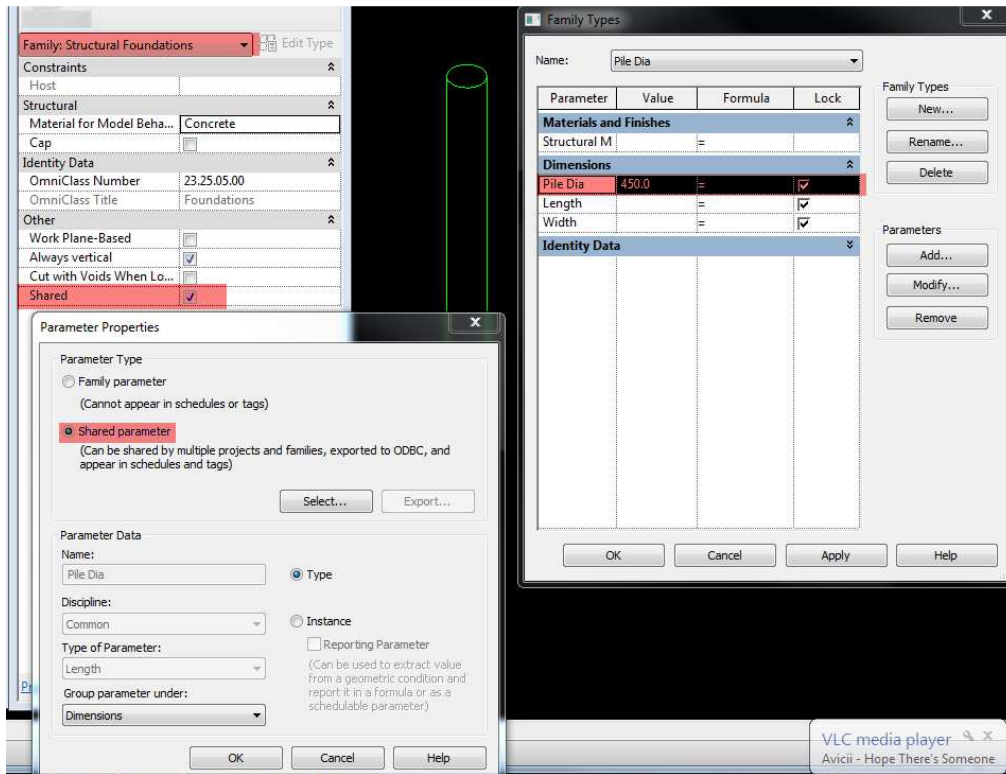
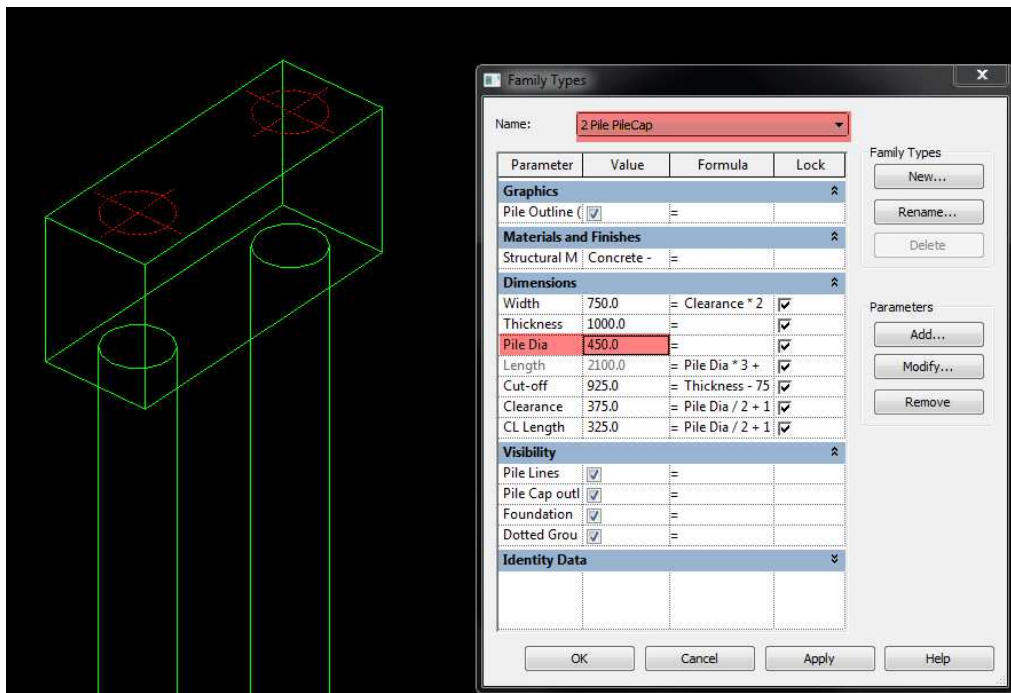
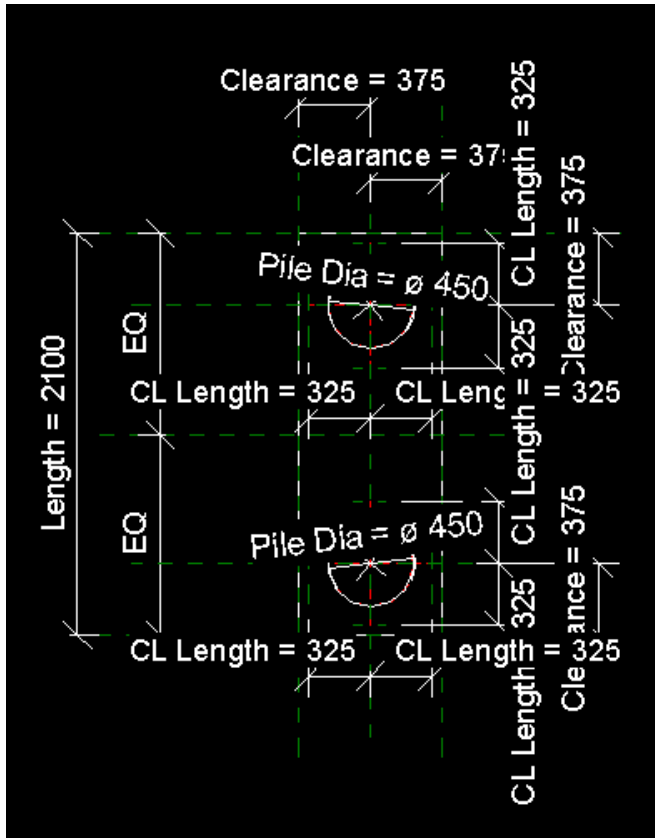


I have created a Pile Family with a Shared Parameter called Pile dia. The family Shared box has been ticked.



I nested the Pile Family into the Pile Cap family and locked it in place and shared the Pile Dia parameter. This family Shared box was also ticked. I placed Formula in this family so that when I change the Pile Diameter all the pile cap parameters change to suit. The centers of the Piles change but the pile diameter stays the same. I have to change that separately. Surely there is something that I have missed. I wish to change the Pile Dia parameter once and it change everything.





I cannot add a diameter parameter to the nested family in plan view.

When I select the nested family there is no option to add a parameter here. See arrow below.

