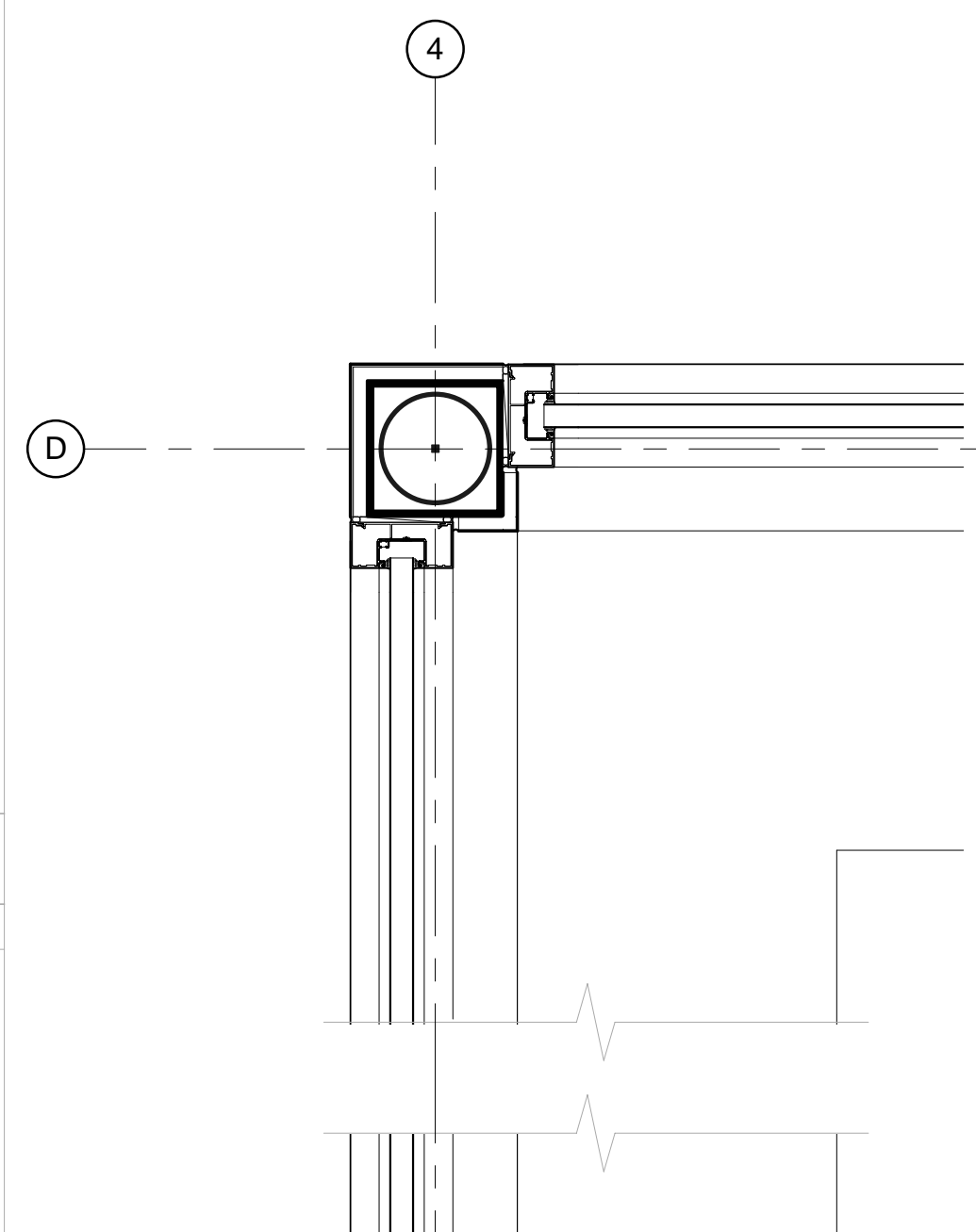
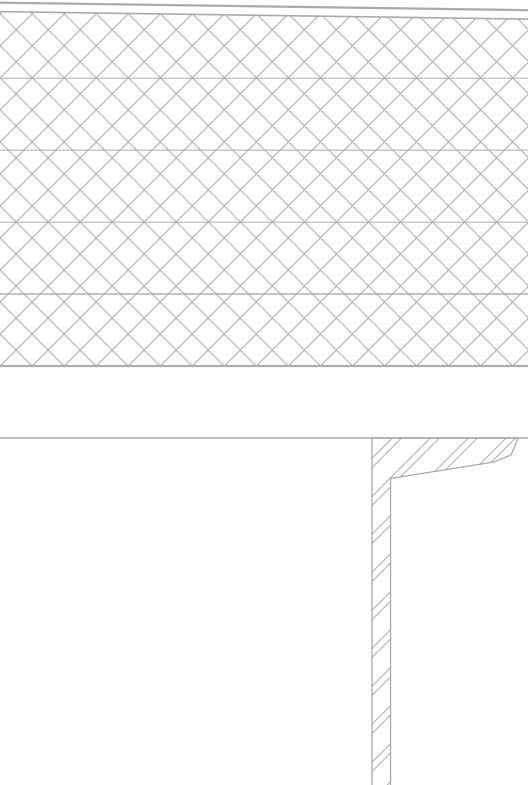


G13

SECTION DETAIL

SCALE: 1 1/2" = 1'-0"

TYPICAL GWB BEAM WRAP AT CLERESTORY



G

F

E

D

C