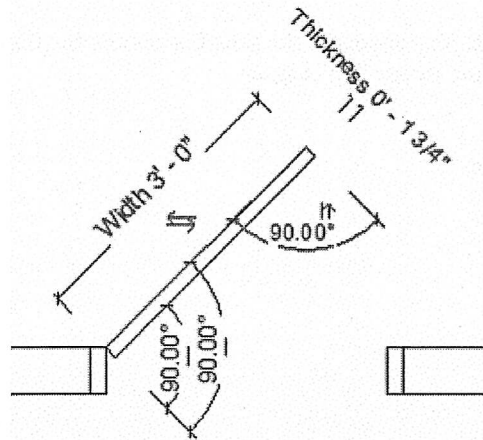


TRAINING

Revit Family Workshop

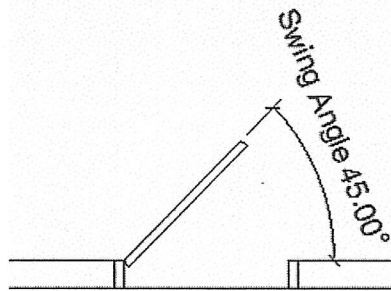
-Plan Graphics-

In plan create a symbolic line from the intersection of the “Left” reference plan and the Wall’s exterior face. Draw to the upper right at a random angle. Draw the remainder of the door panel using symbolic lines. Dimension the new lines using Aligned and Angular Dimensions as indicated below



Note: All dimensions that are not parameterized should be locked.

Dimension the angle of the overall panel in relation to the wall



Link this dimension to a parameter called swing angle. This parameter should be an Instance as each door may vary depending on location or phase. It may be grouped under the Dimensions or Graphics headers.

Draw an Ark “From center and end points” using Symbolic lines.

Link the center point to the Intersection of the Hinge’s reference plane and the wall.
The start point will be the Intersection of the “Right” reference plane and the wall.
The end point should be picked at the inside of the Symbolic door panel.

