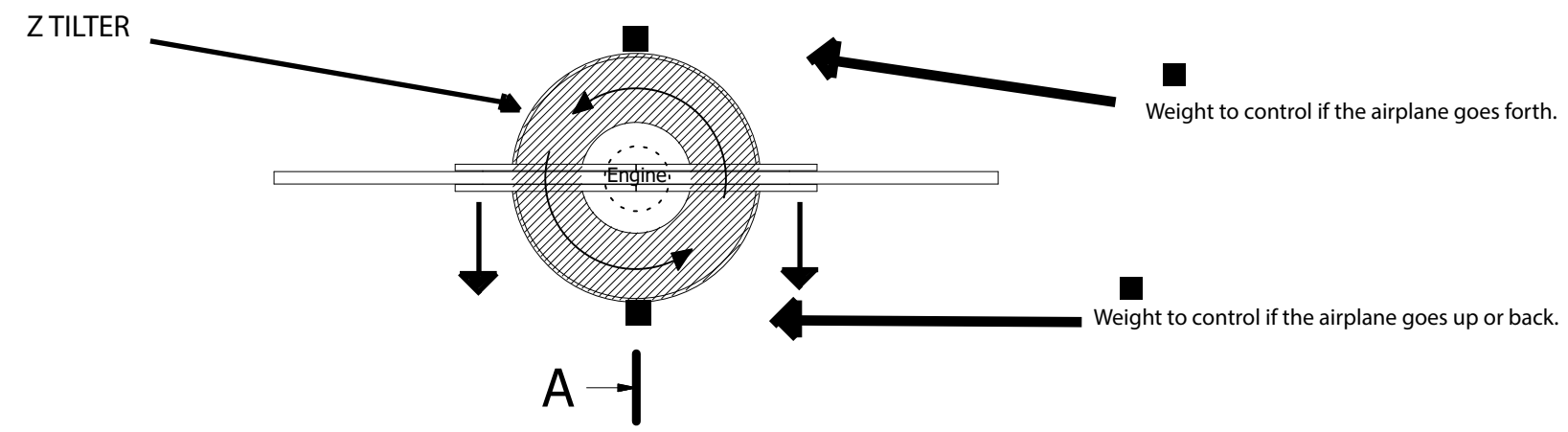
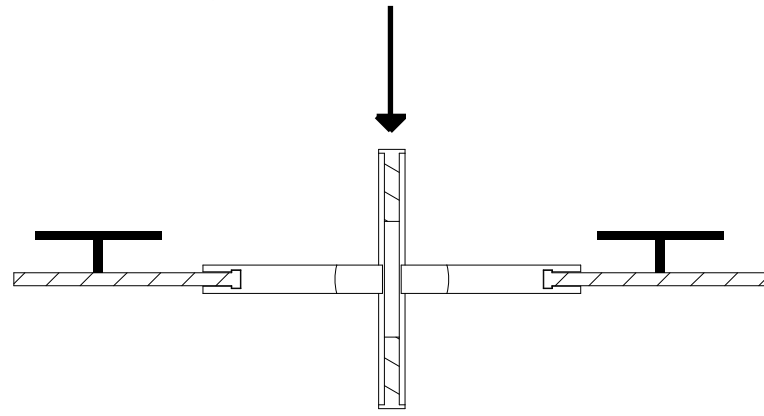


1. The arrow on the drawing symbolizes that i want an engine/engines rotate both back and forth
2. The hatched area is constrained the rotation of the engine/engines

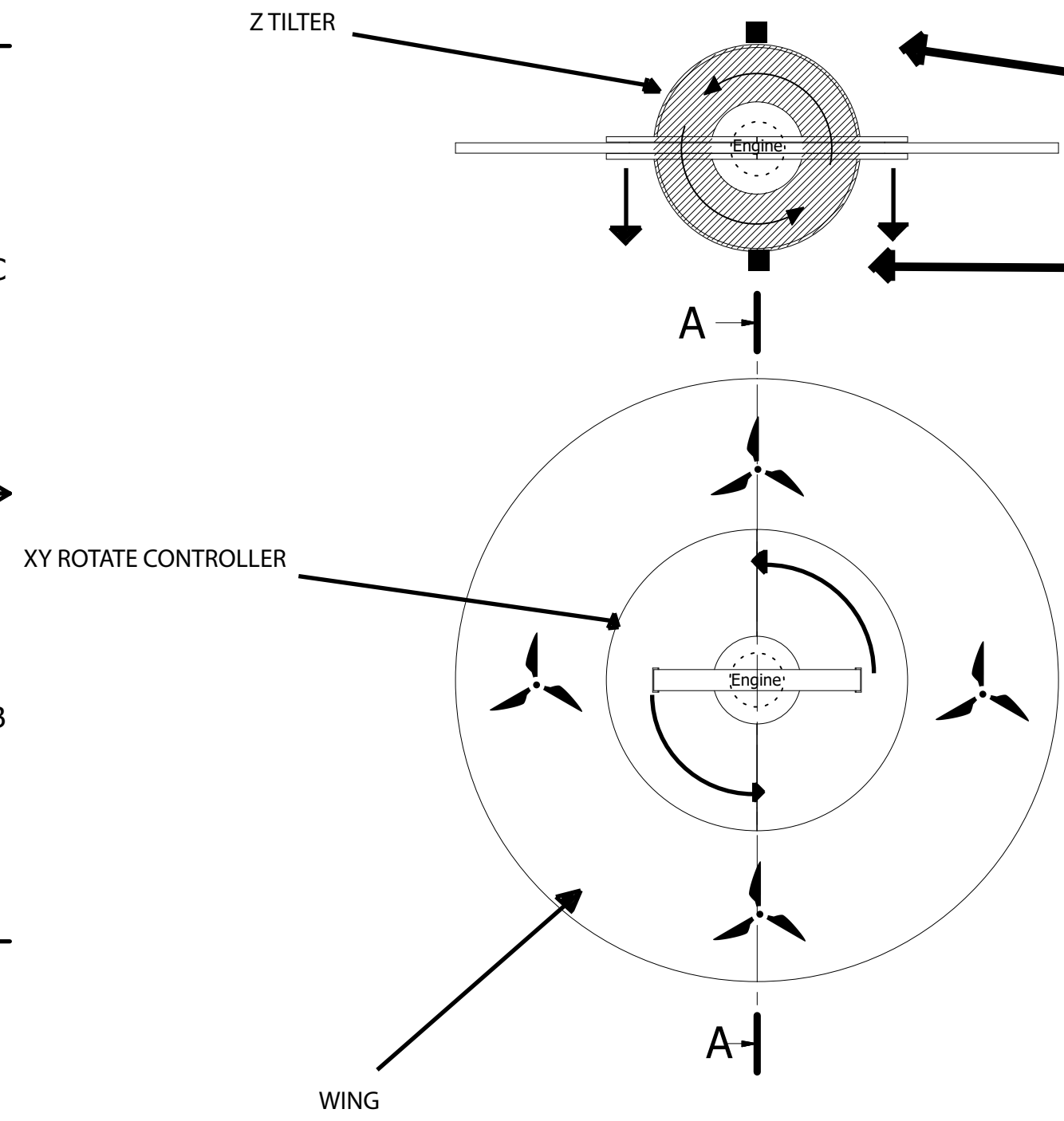
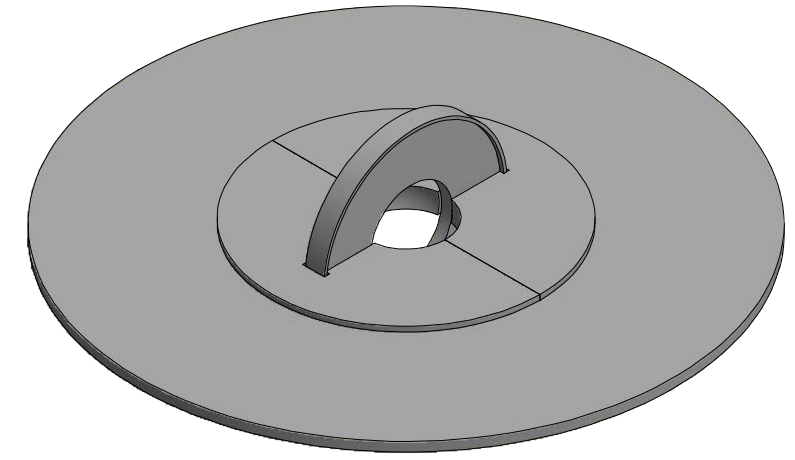
Question?
Any good solutions to make the main weight circular and equal so the airplane will point vertical unless imbalance from the Z TILTER?



Rotation sign for to symbolize that the controller will control the which direction the drone will fly back and forth.



40 cm in diameter



Designed by Lucas	Checked by	Approved by	Date	Date 17-10-2015
Problem		Edition	Sheet 1 / 1	