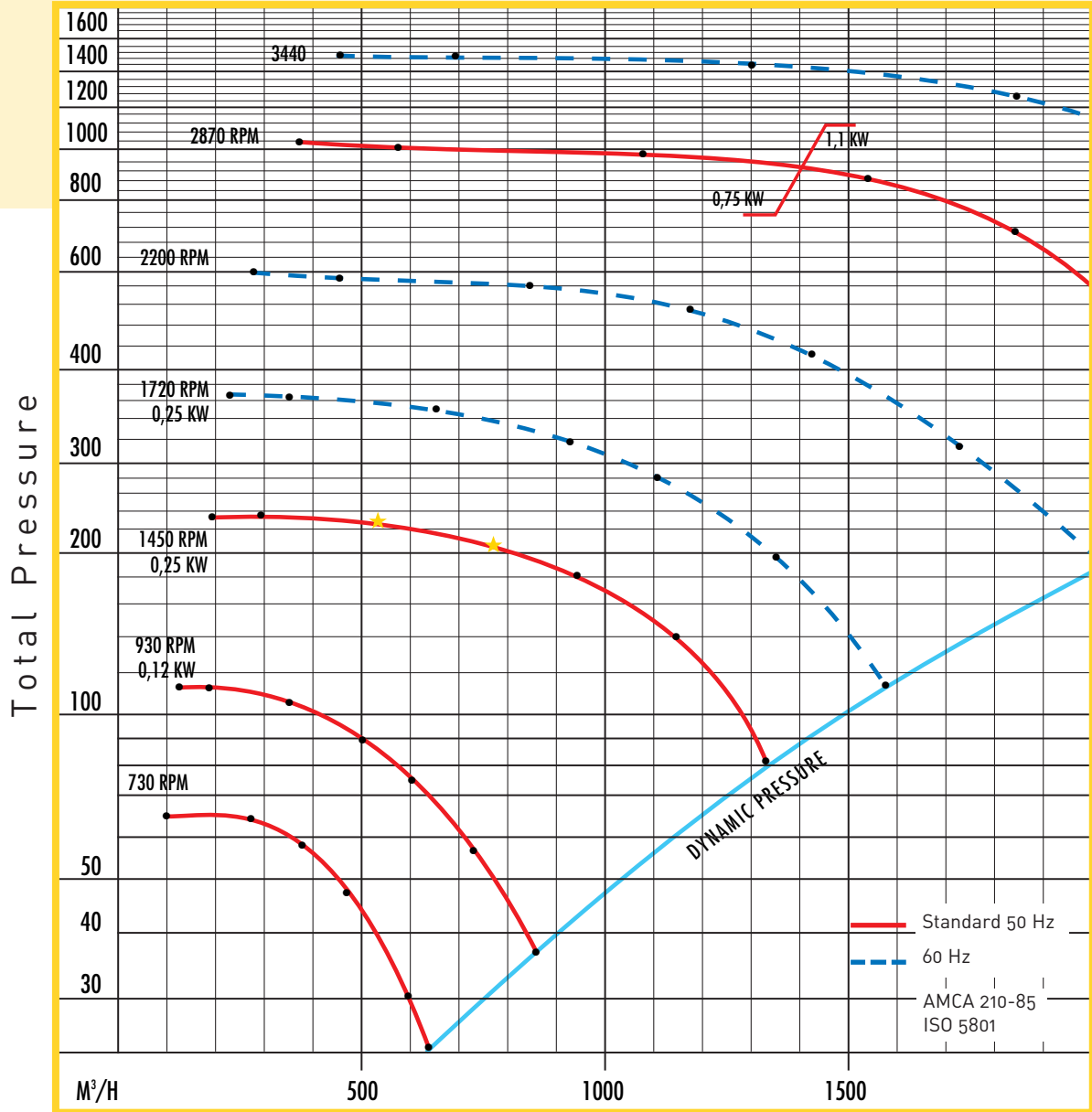


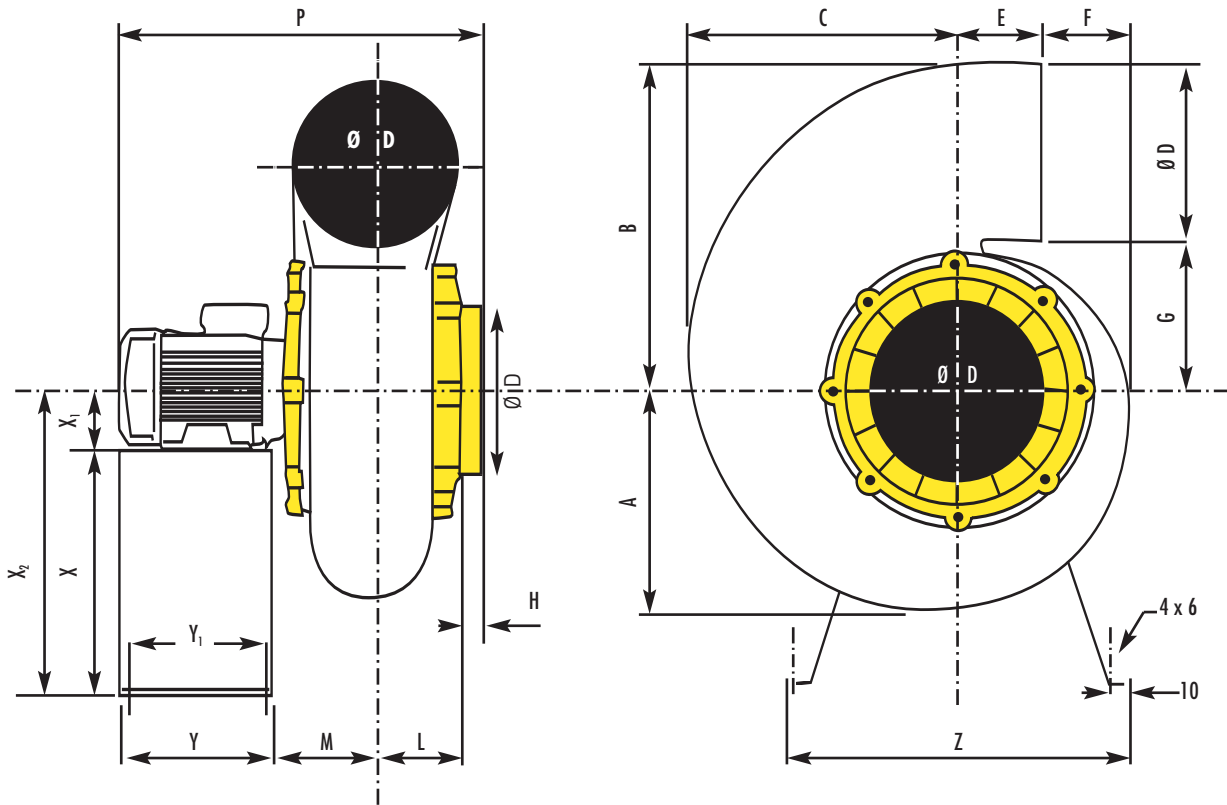
# SEAT 20

PT (Pa)



## Sound Level

| Type    | RPM          | 63 Hz | 125 Hz | 250 Hz | 500 Hz | 1000 Hz | 2000 Hz | 4000 Hz | 8000 Hz | LW Global dB(A) |
|---------|--------------|-------|--------|--------|--------|---------|---------|---------|---------|-----------------|
| SEAT 20 | 950/6 poles  | 36    | 48     | 51     | 48     | 56      | 45      | 37      | 27      | 41              |
|         | 1450/4 poles | 42    | 57     | 60     | 57     | 66      | 54      | 47      | 39      | 51              |
|         | 2850/2 poles | 51    | 71     | 74     | 68     | 85      | 69      | 62      | 56      | 69              |



**Dimensional data (mm) - Metal stand does not come standard with fan (see accessories pricing).  
Motor frame size may vary upon type of motor used.**

| A   | B   | C   | Ø D | E   | F  | G   | H  | L  | M  | P   | Y   | Y <sub>1</sub> | Z   | X   | X <sub>1</sub> | X <sub>2</sub> |
|-----|-----|-----|-----|-----|----|-----|----|----|----|-----|-----|----------------|-----|-----|----------------|----------------|
| 208 | 303 | 240 | 160 | 100 | 57 | 143 | 32 | 84 | 94 | 390 | 180 | 160            | 340 | 240 | 71             | 311            |

**Handings are viewed from inlet side - 45 degree adjustable**



**LG 0**



**LG 45**



**LG 90**



**LG 135**



**LG 180**



**LG 225**



**LG 270**



**LG 135**



**RD 0**



**RD 45**



**RD 90**



**RD 135**



**RD 180**



**RD 225**



**RD 270**



**RD 135**