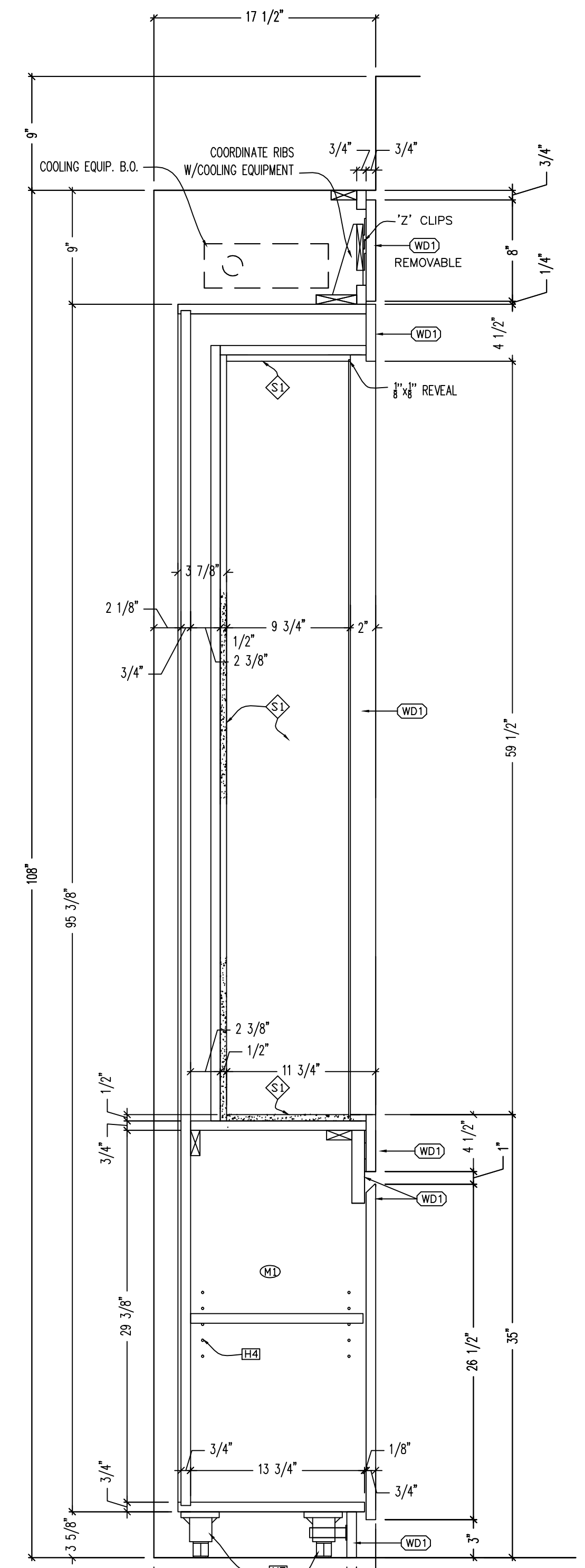
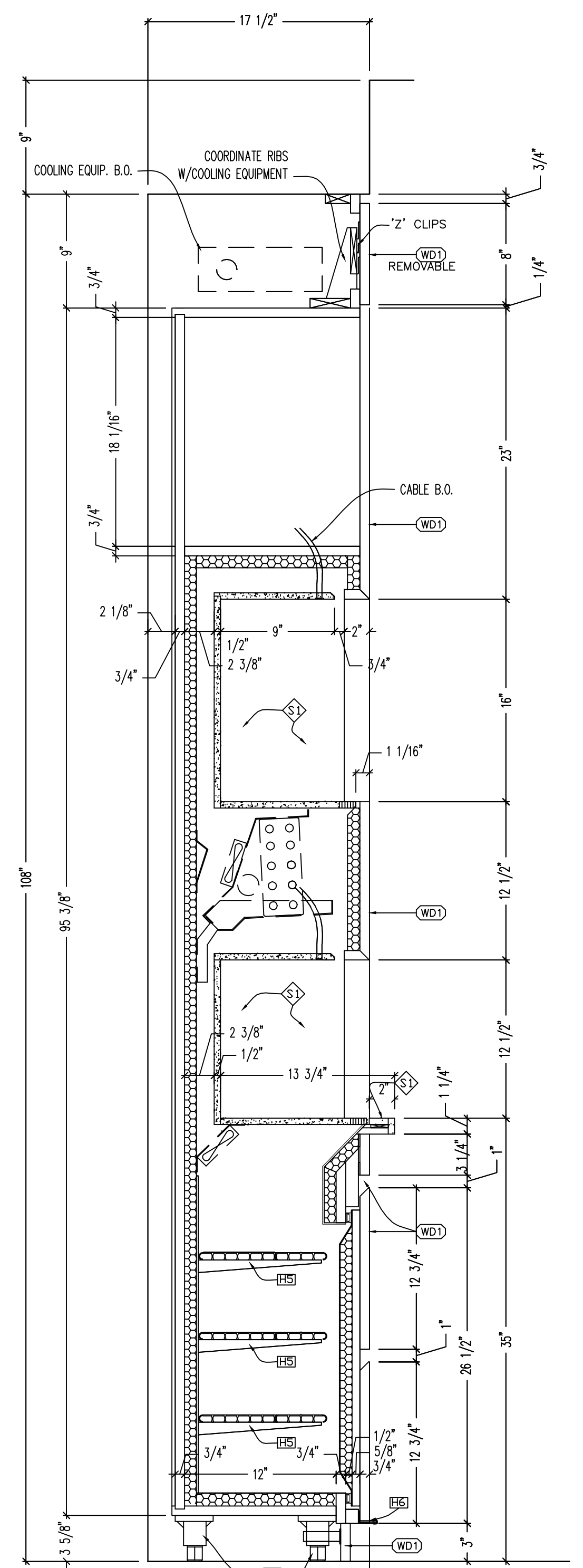


1 PLAN  
1/2" = 1'

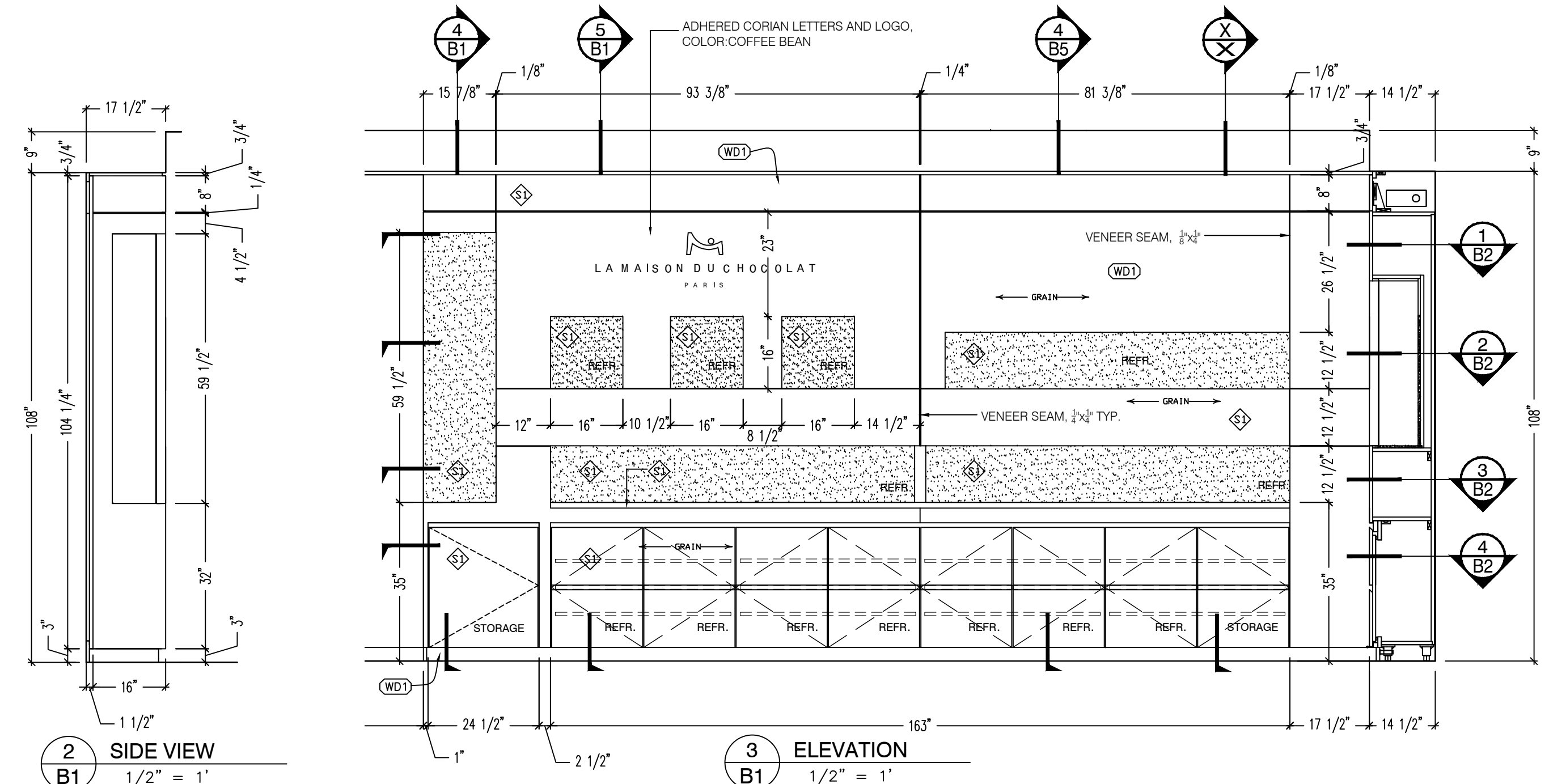
REFRIGERATOR UNIT INSULATION N.I.C.  
REFRIG. COMPARTMENTS DETAILS WILL BE  
REVISED PER MANUFACTURING STANDARDS AND  
RESUBMITTED FOR APPROVAL.



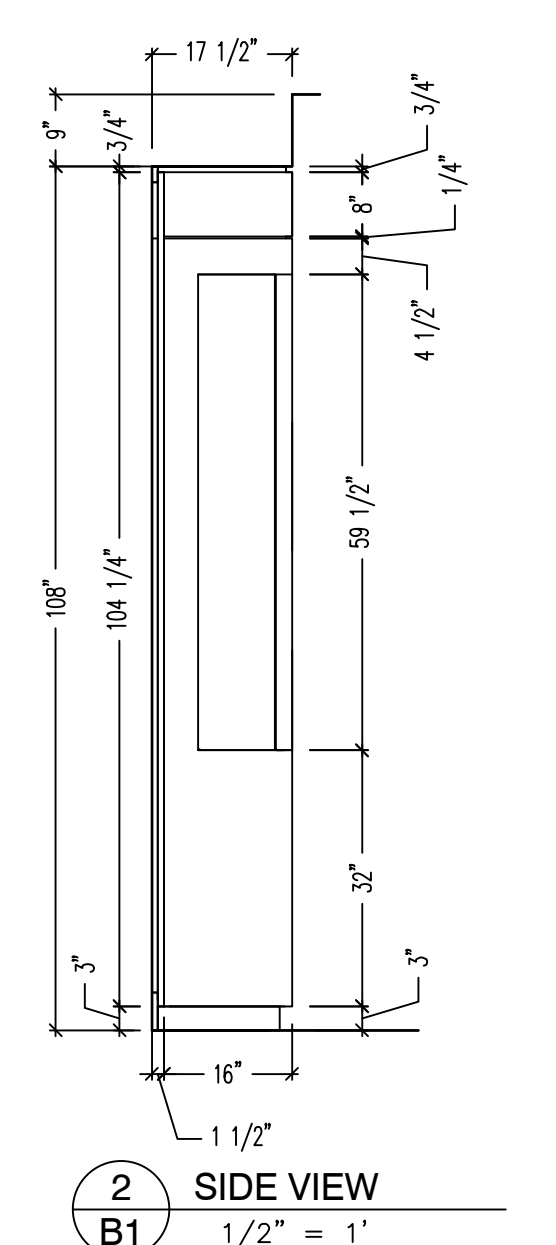
4 SECTION  
1-1/2" = 1'



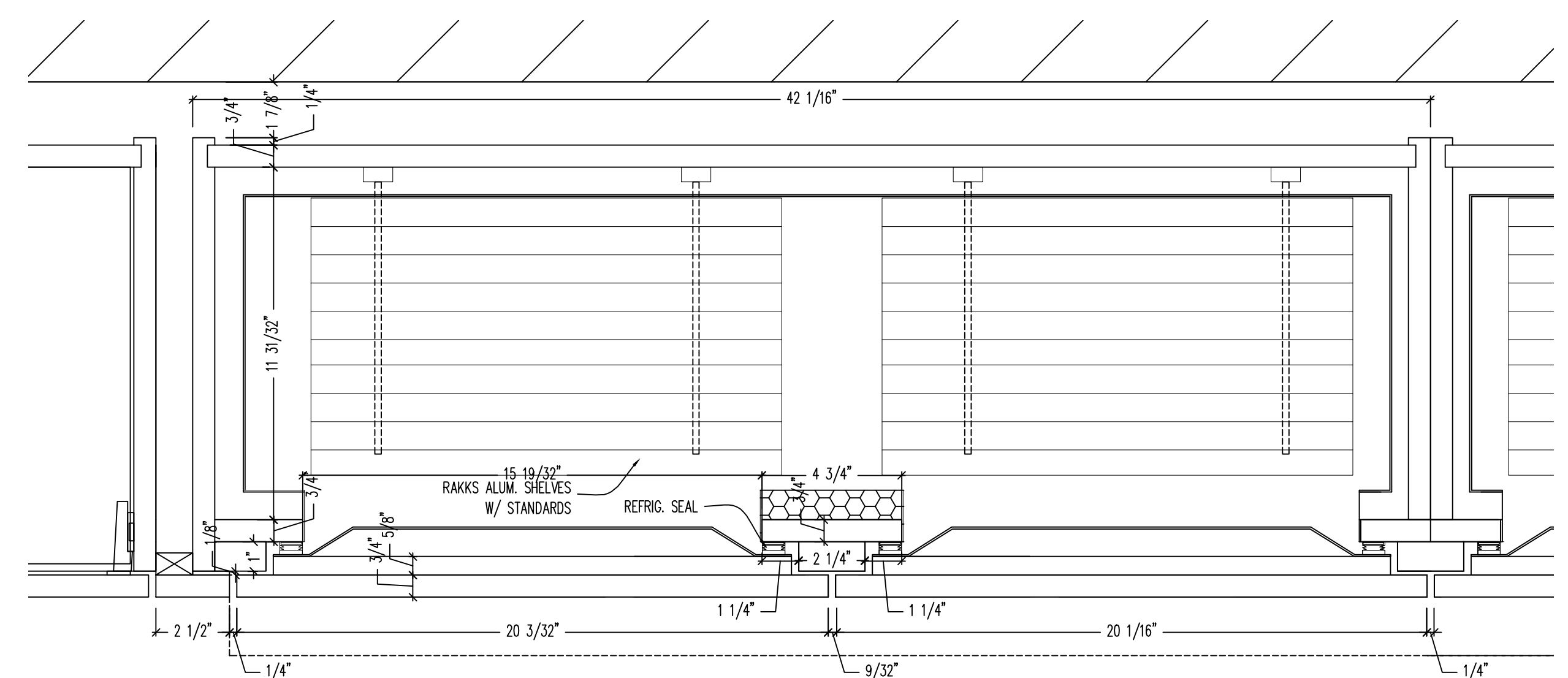
5 SECTION  
1-1/2" = 1'



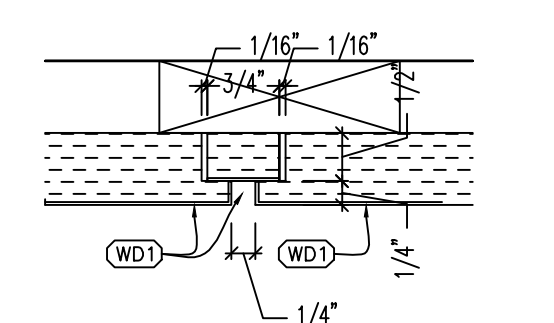
3 ELEVATION  
1/2" = 1'



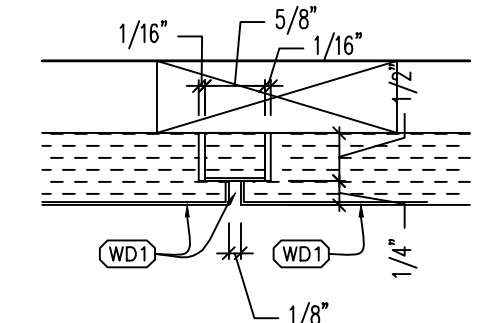
2 SIDE VIEW  
1/2" = 1'



7 TYP. REFRIG. UNIT  
1/2" = 1'



6 TYP. 1/4\"/>



6 TYP. 1/8\"/>

LEGEND	
	LAMINATE
	HARDWARE
	WOOD
	FINISH
	MATERIAL
	SOLID SURFACE MATERIAL
DECORATIVE LAMINATE	
PL1	TBD
PL2	
PL3	
PL4	
PL5	
PL6	
WOOD	
WD1	BERFLEX LES SABLES, LIGHT DAK STRAIGHT, HORIZONTAL GRAIN, TYP.
WD2	
WD3	
FINISH	
ST1	TBD
ST2	PAINTED DARK "BROWN CHOCOLATE"
ST3	
SOLID SURFACE MATERIAL	
S1	BUTTER CREAM
S2	COFFEE BEAN
S3	
MATERIAL	
M1	WHITE MELAMINE
M2	PARTICLE BOARD
M3	MDF BOARD
M4	PVC EDGING TO MATCH FACE VENEER
M5	DARK BRONZE DECORATIVE PATINA ON 1/2" MDF PANELS
M6	COTTON FABRIC; MATCH ARCHITECTS SAMPLE
M7	PVC CRYSTAL (EXTRA-CLEAR PLASTIC)
M8	UPHOLSTERY: MAHARAM SUDEN 005
M9	STARFIRE TEMPERED GLASS
M10	STAINLESS STEEL
M11	
M12	
HARDWARE	
H1	HINGES S.C. / HINGE PLATES-GRASS
H2	WIRE PULLS 4" SATIN CHROME
H3	SLIDES- ACCURIDE 3832-20 SLIDES
H4	5MM SHELF PINS
H5	RAKKS ALUMINIUM SHELVES W/ STANDARDS
H6	PIVOT HINGES
H7	S.S. ADJUSTABLE LEGS, 4" TALL W/ CLIPS TO ATTACH BASE
H8	CUSTOM 3/4" DIAM DARK BRONZE RODS, COLOR TO MATCH BUTTER CREAM
H9	
H10	
H11	

NOTES:

REVISIONS	
NO.	REASON

THESE DRAWINGS AND SPECIFICATIONS ARE THE PROPERTY OF THE OSVOLD COMPANY. THEY ARE ISSUED SOLELY FOR THE PURPOSE OF CLARIFYING INITIAL DESIGN CONCEPTS AND ARE SUBJECT TO CHANGE. THIS MATERIAL IS SUBMITTED IN STRICT CONFIDENCE AND SHALL NOT BE REPRODUCED, COPIED, DISCLOSED TO COMPETITORS, OR USED AS A BASIS FOR MANUFACTURING ANY COMPONENTS.

JOB TITLE: La Maison Du Chocolat-EAST/WEST PANELING	
CUSTOMER: X	ARCH. REFERENCE: AS NOTED
CAD FILE:	DRAWN BY: CADDRAFT.
SALES ORDER #: X	SCALE: AS NOTED
DATE:	DATE:

OFF. SET  
CNC/SHOP  
SHOP OFFICE  
INST.SET

ITEM/ROOM #: FIXTURES 1-9	DRAWING NUMBER: B1 OF 7
JOB NUMBER: 2009	